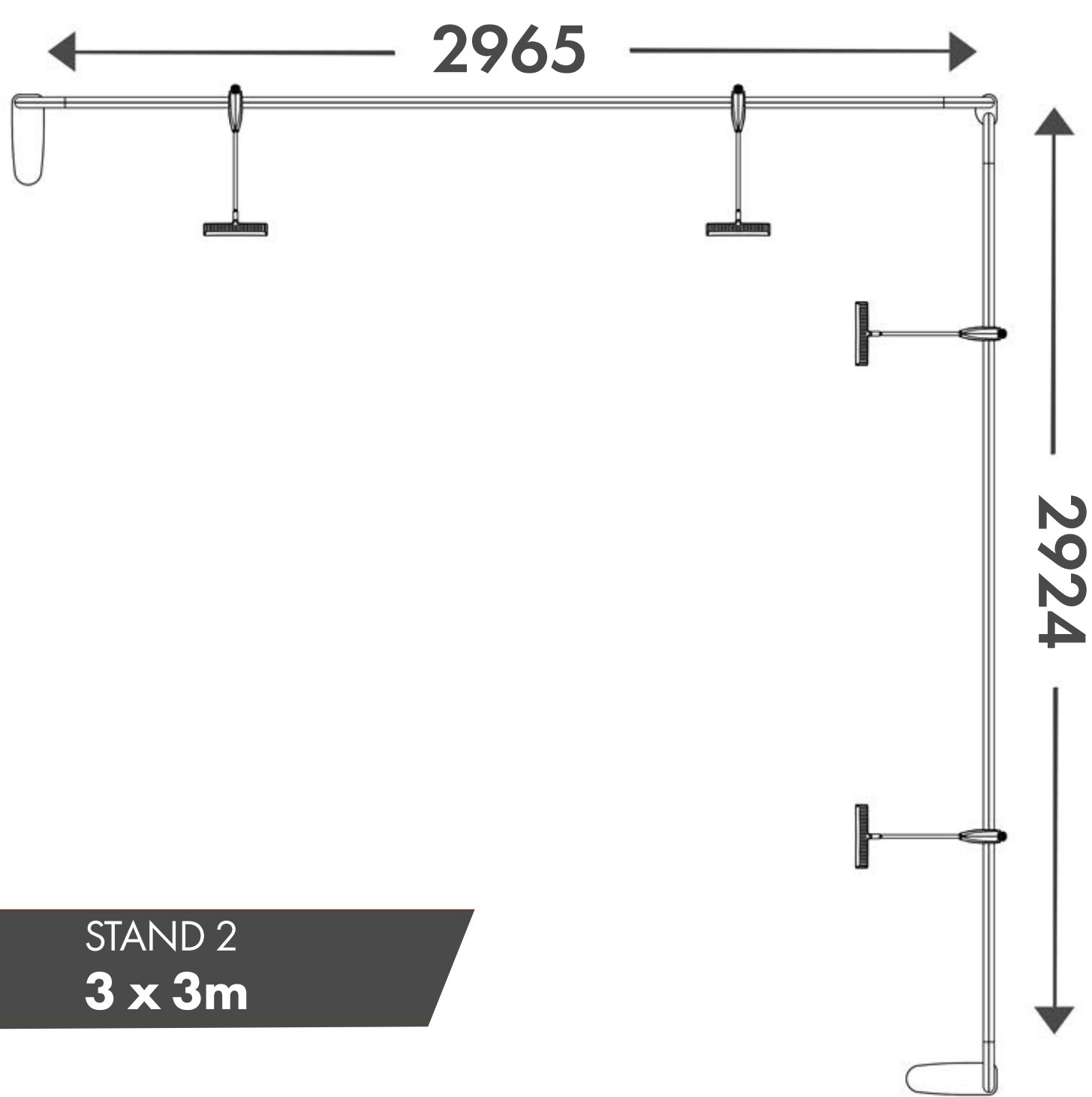


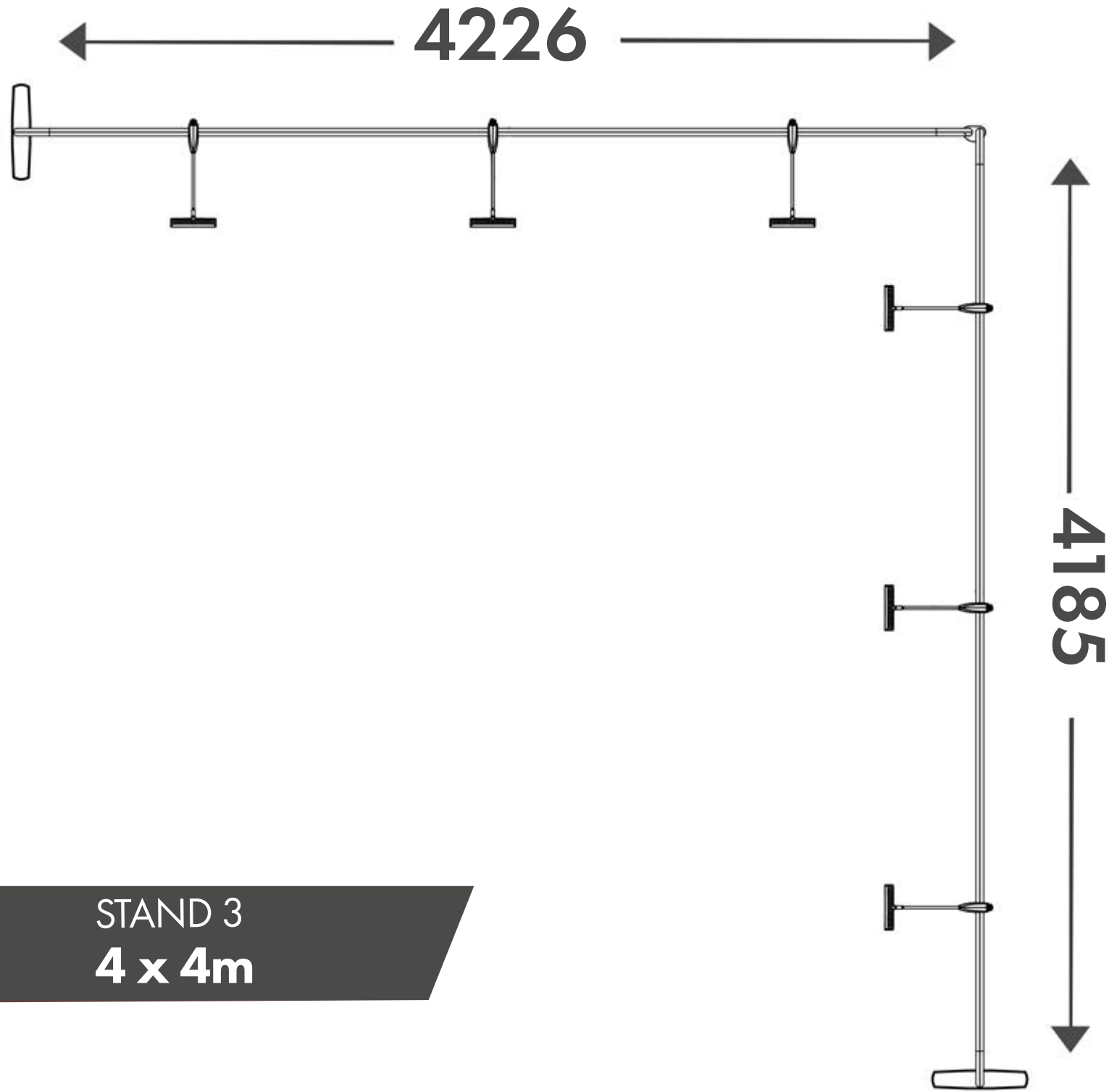
STAND 1
2.5 x 2.5m



2965

2924

STAND 2
3 x 3m



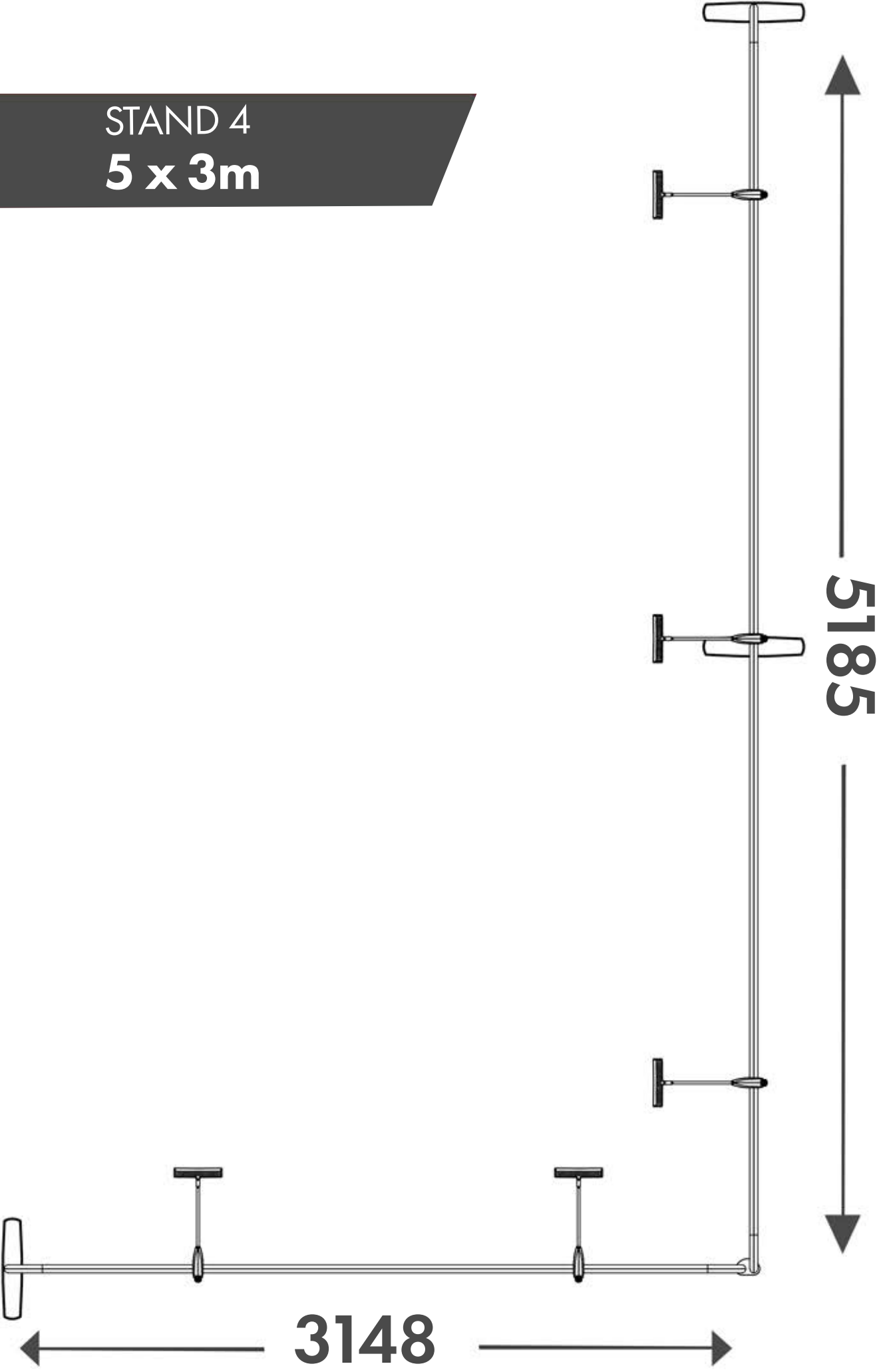
4226

4185

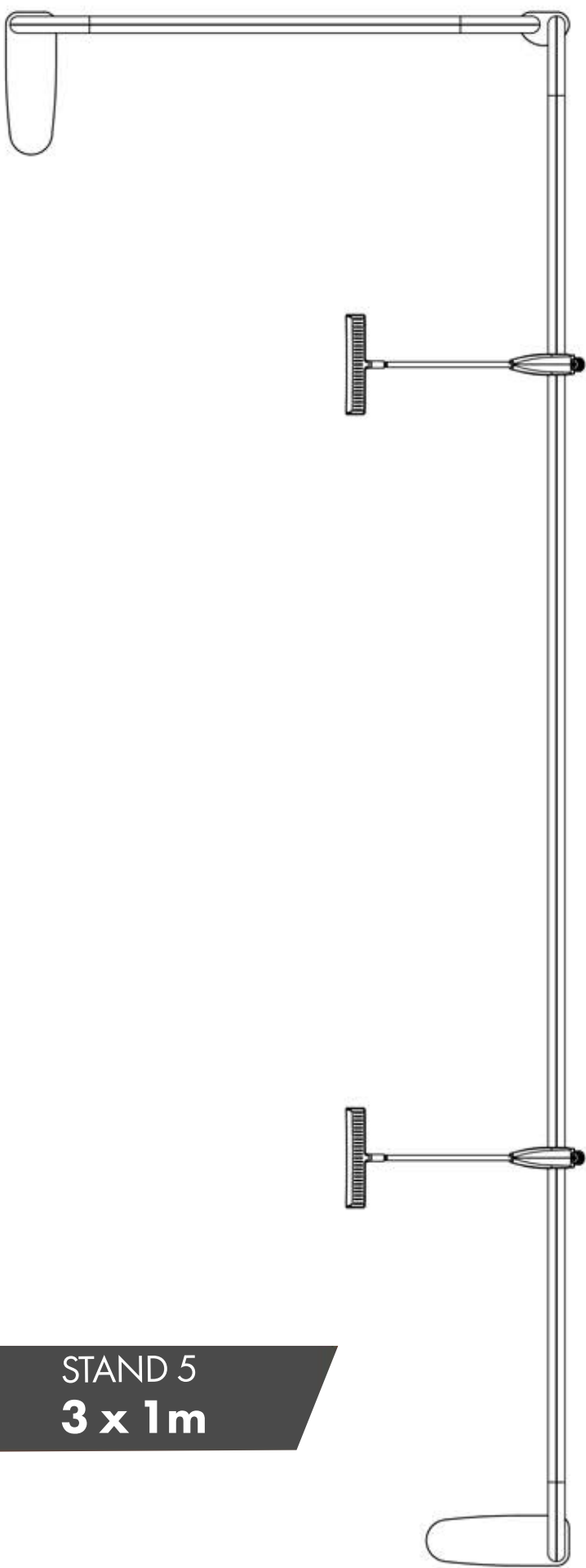
STAND 3
4 x 4m

STAND 4

5 x 3m



← 1043 →



↑

2924

↓

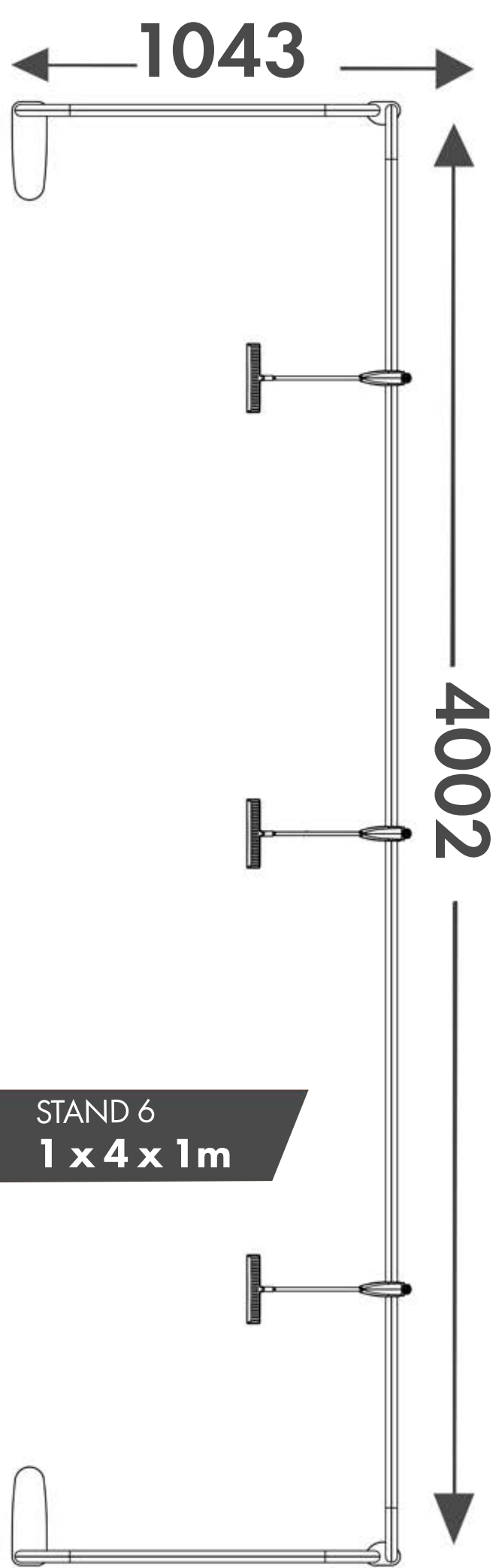
STAND 5
3 x 1m

1043

4002

STAND 6

1 x 4 x 1m



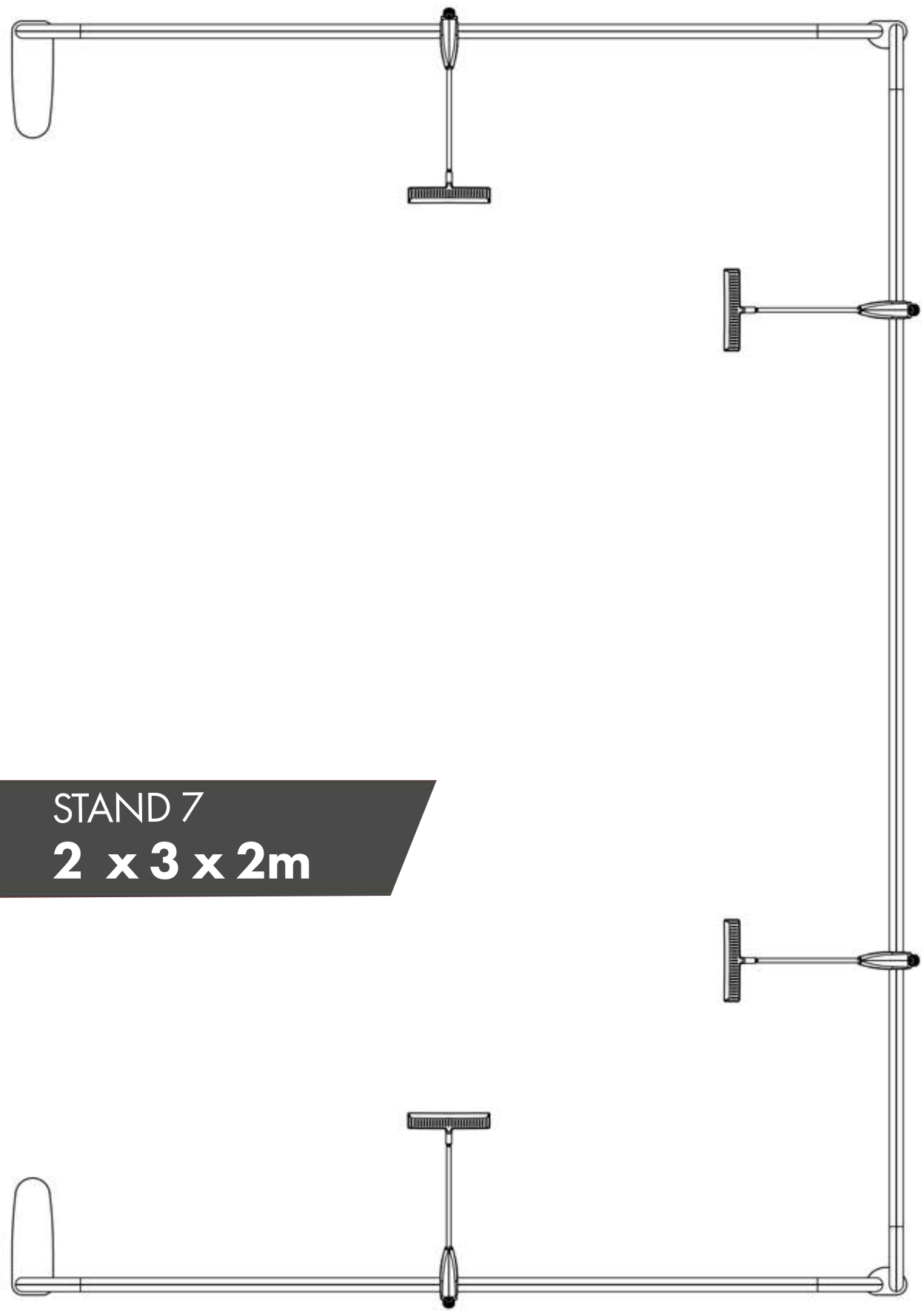
2043



2924



STAND 7
2 x 3 x 2m

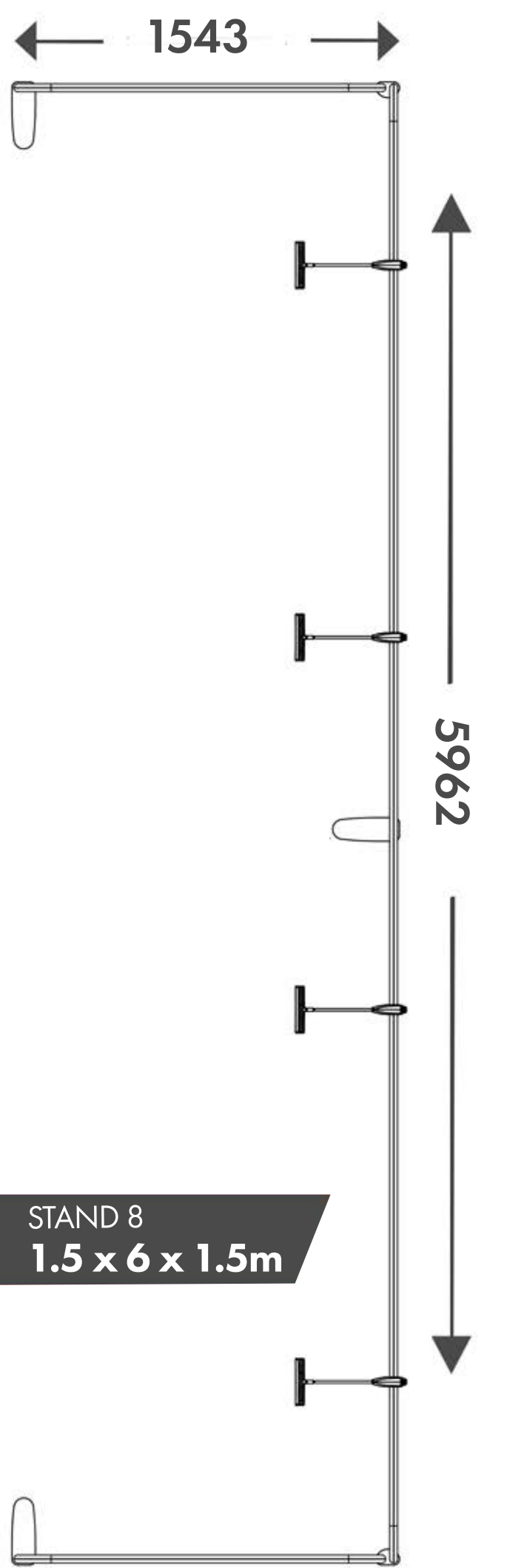


1543

5962

STAND 8

1.5 x 6 x 1.5m



← 1084 →

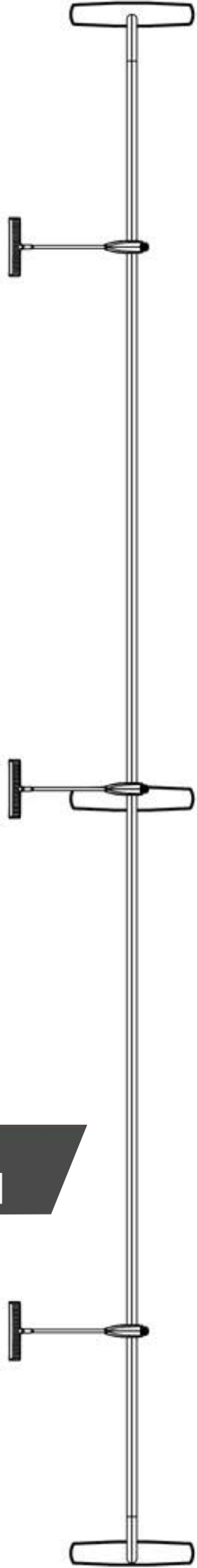


STAND 9

Multi-panel W

6438

400



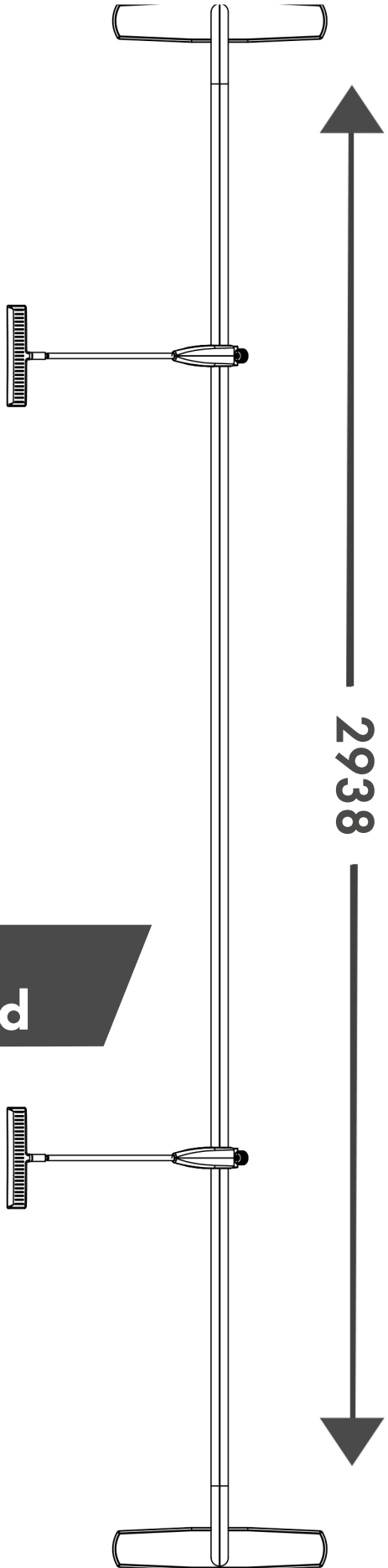
5016

5016

5016

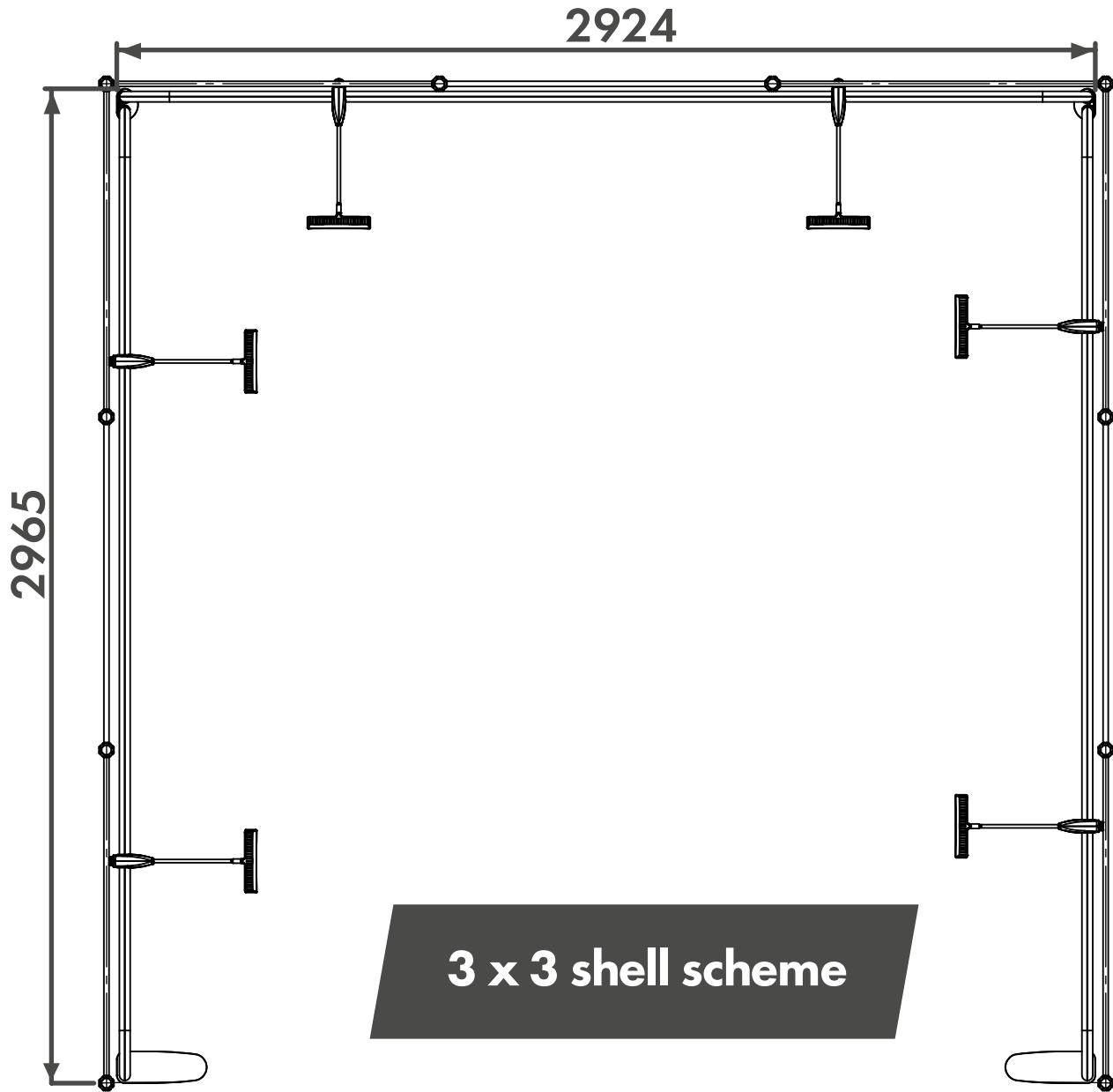
STAND 10
5m stand

← 400 →



2938

STAND 11
3m stand



5862

2965

6 x 3 shell scheme

