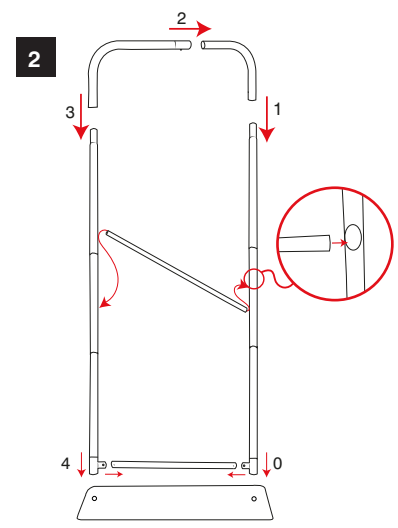
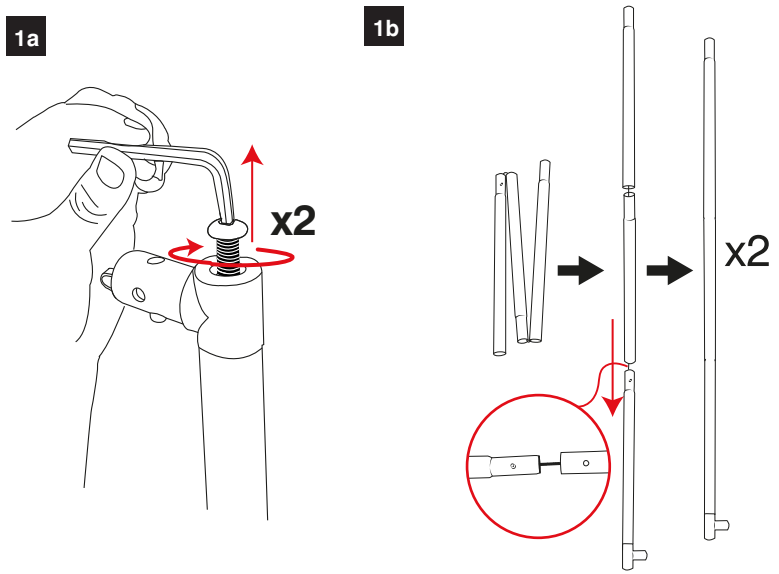
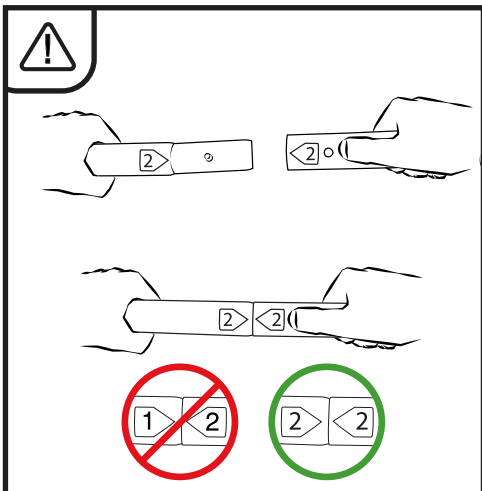
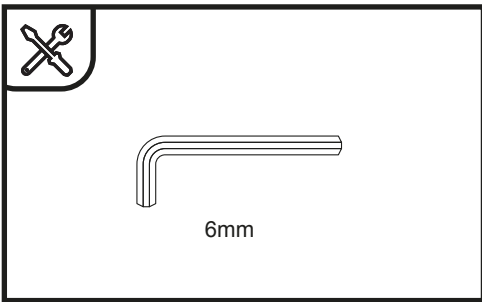
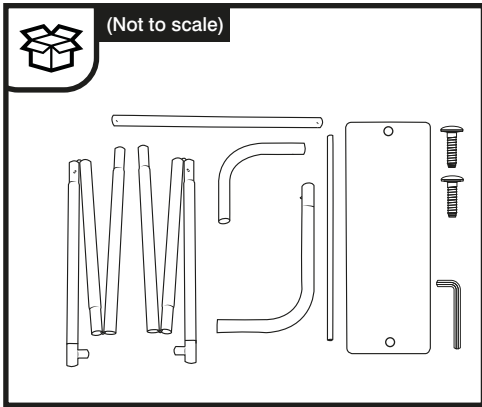
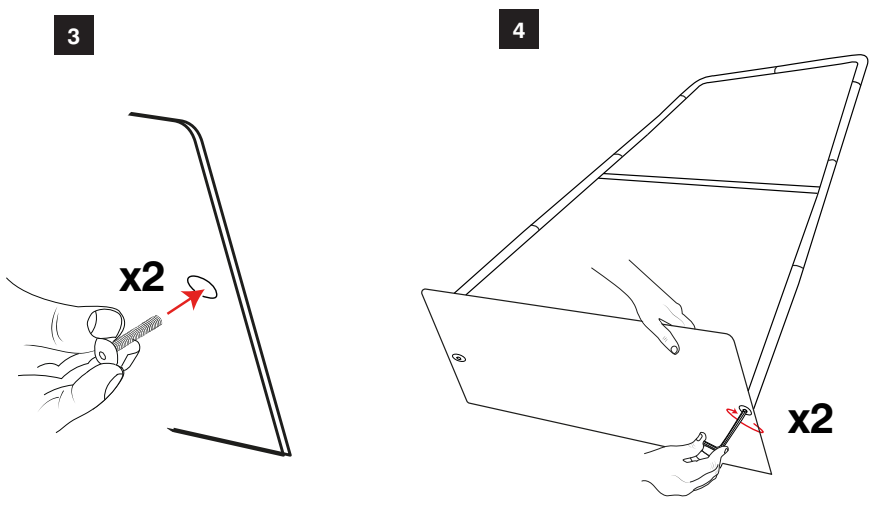


Tension Banners Formulate Monolith 600mm

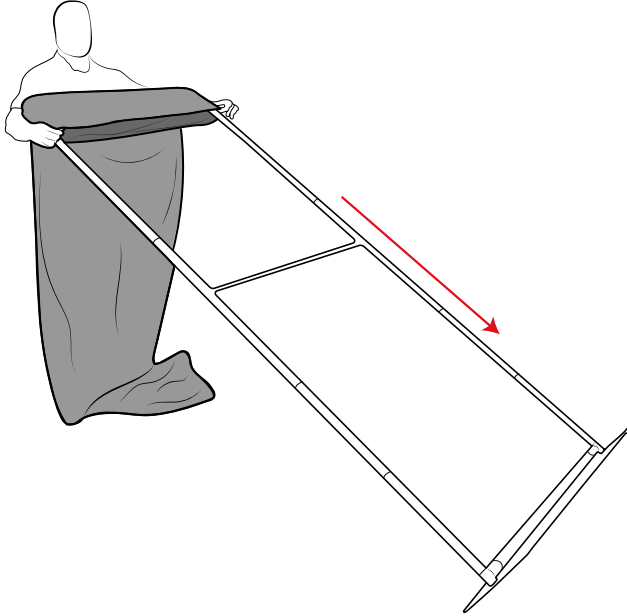


NOTE: FOR ZIPPED VERSION REFER TO STEP 5B-THEN CONTINUE TO ATTACH BASE AS PER STEPS 3 & 4



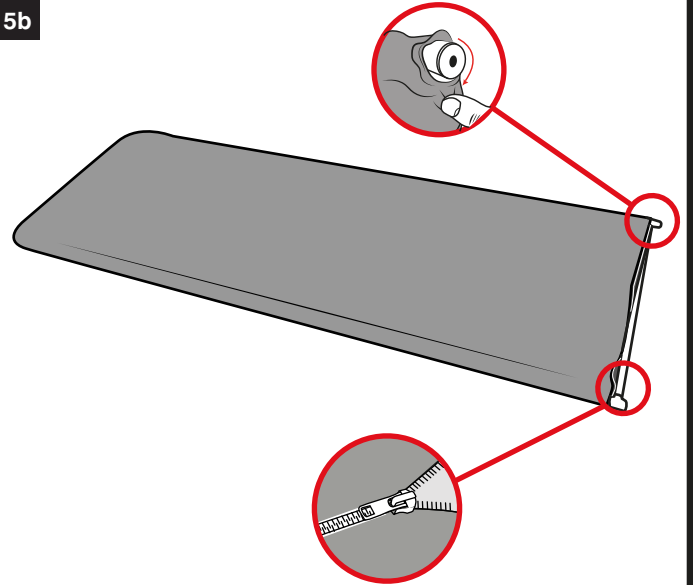


5a

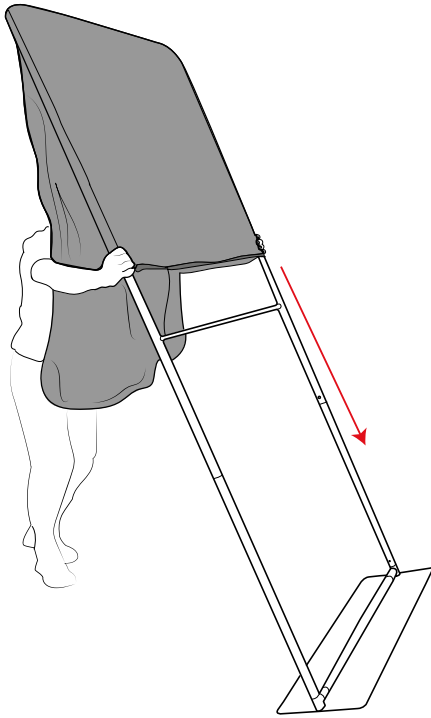


NOTE: FOR ZIPPED VERSION, GRAPHIC MUST BE ATTACHED BEFORE ATTACHING BASE

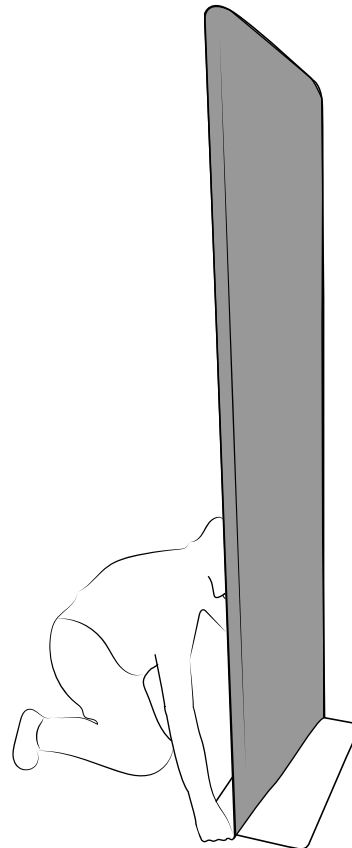
5b



6

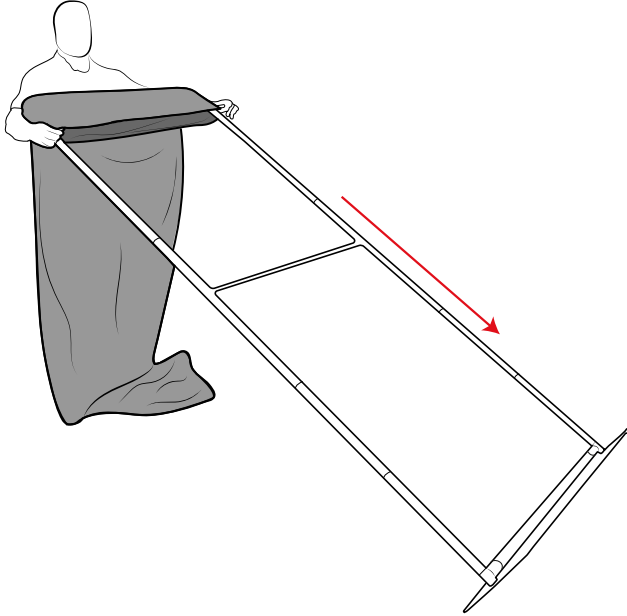


7



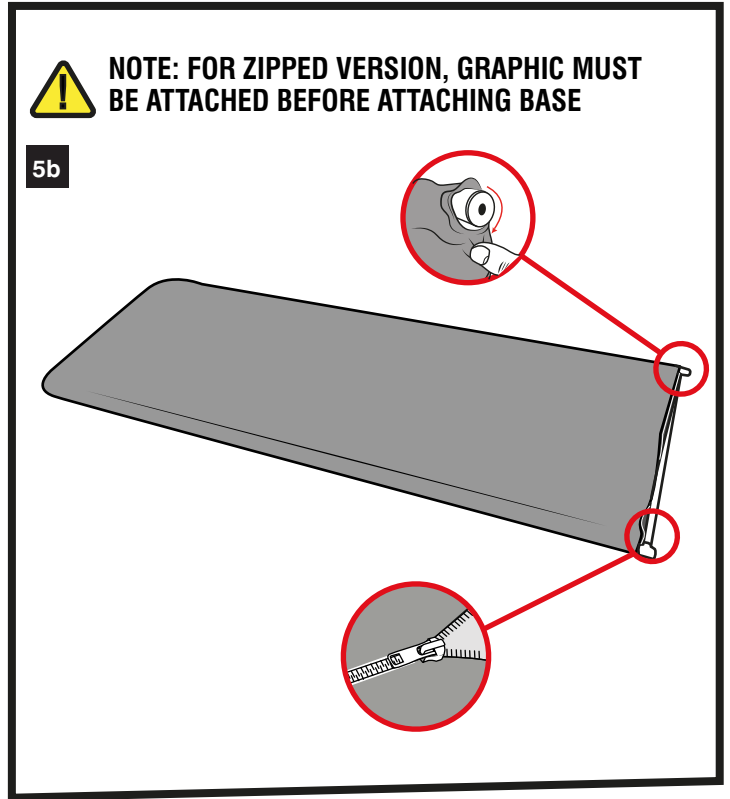


5a

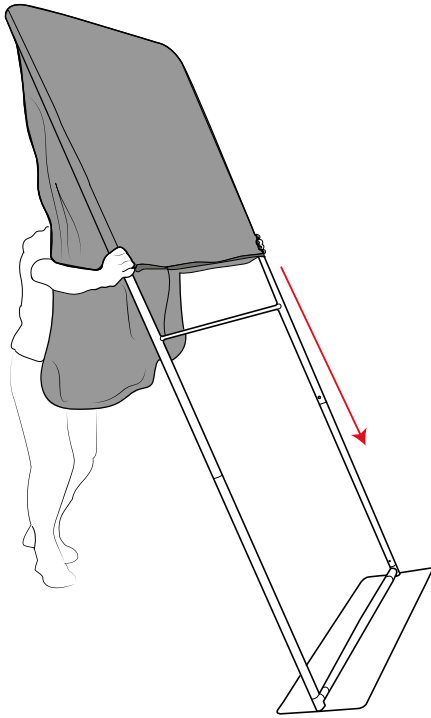


NOTE: FOR ZIPPED VERSION, GRAPHIC MUST BE ATTACHED BEFORE ATTACHING BASE

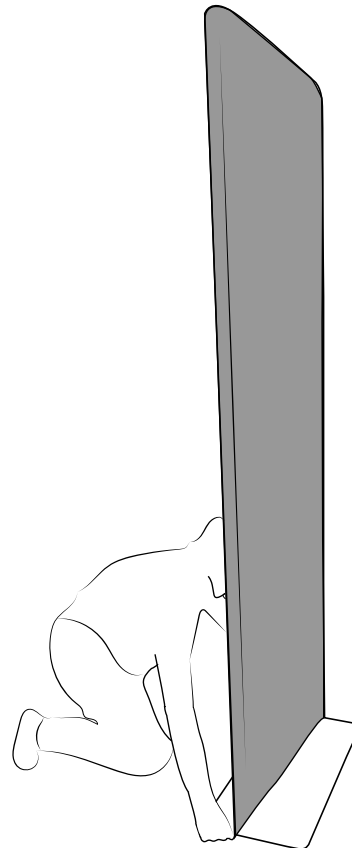
5b



6

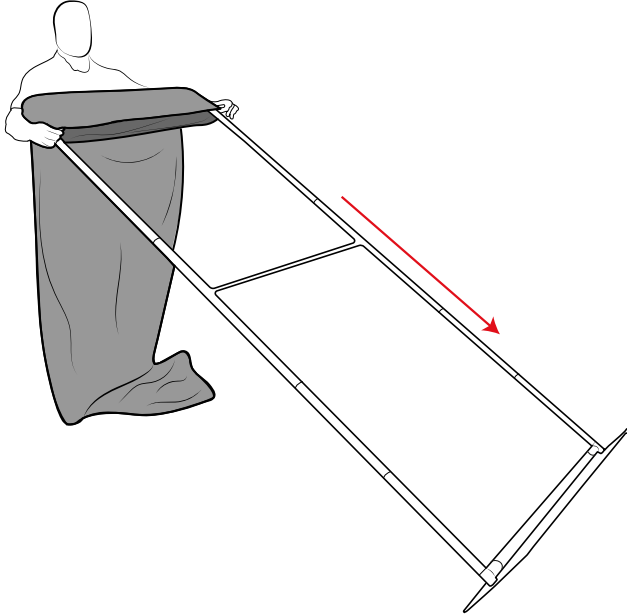


7



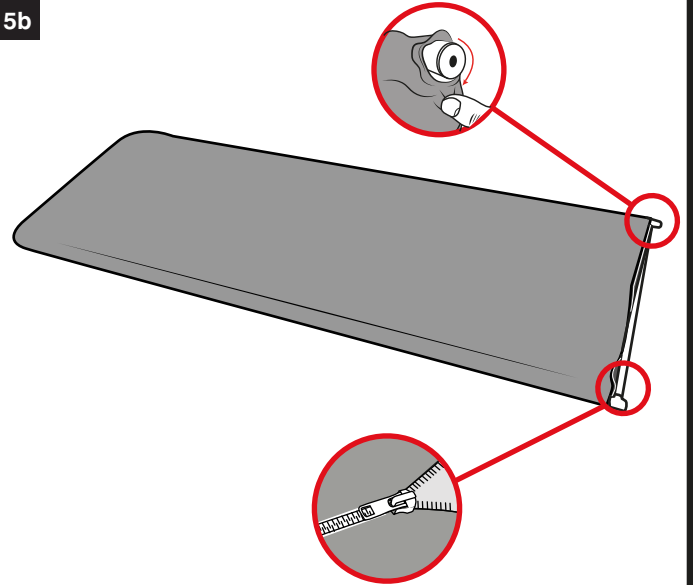


5a

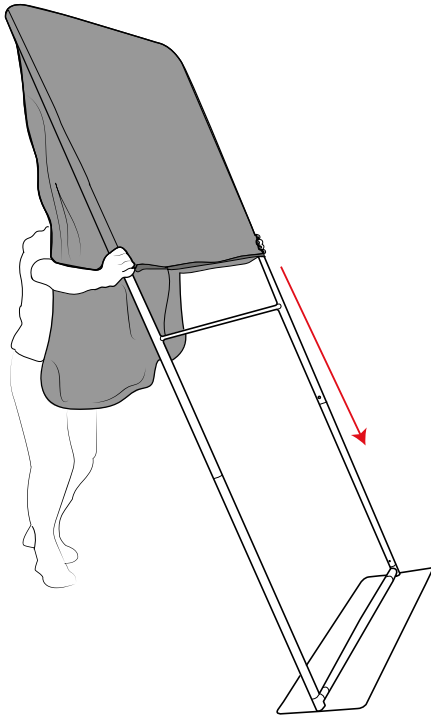


NOTE: FOR ZIPPED VERSION, GRAPHIC MUST BE ATTACHED BEFORE ATTACHING BASE

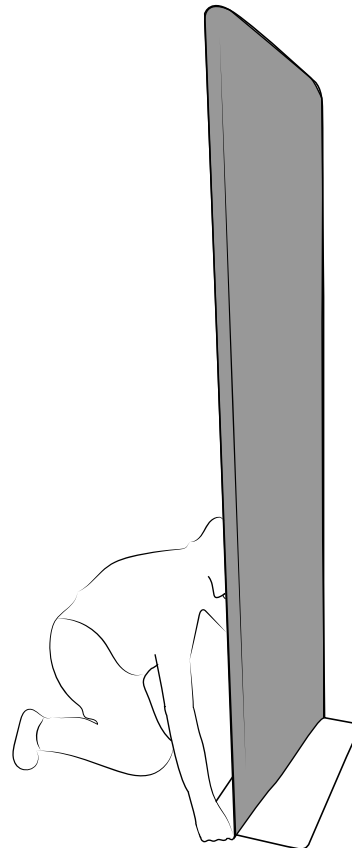
5b



6

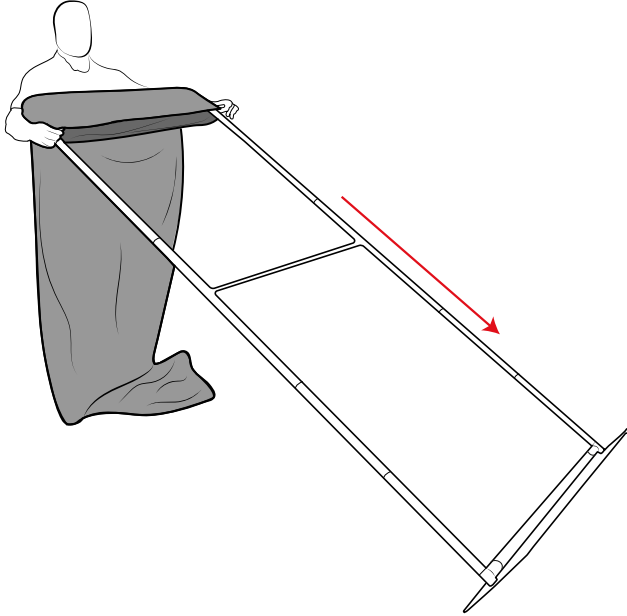


7



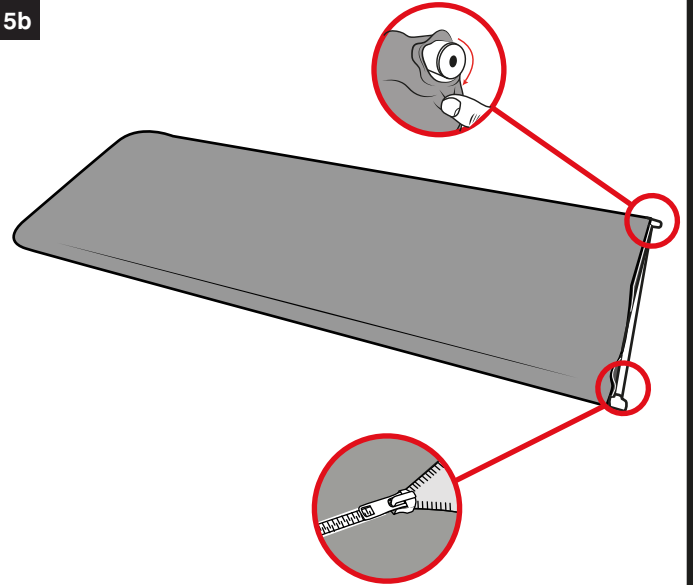


5a

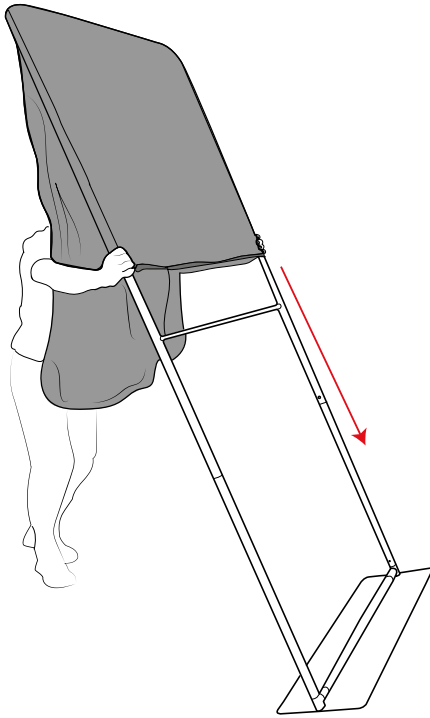


NOTE: FOR ZIPPED VERSION, GRAPHIC MUST BE ATTACHED BEFORE ATTACHING BASE

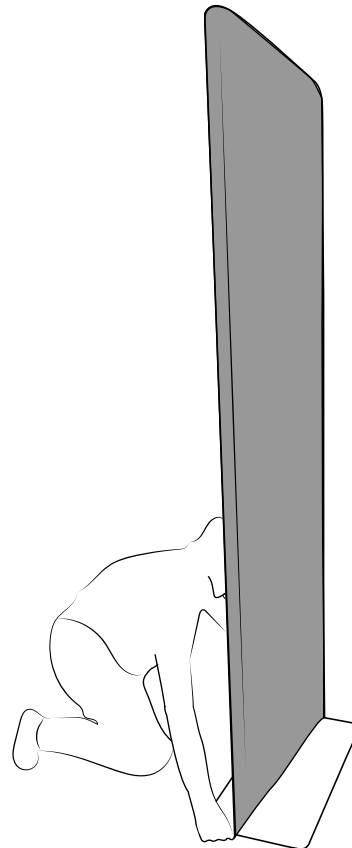
5b



6

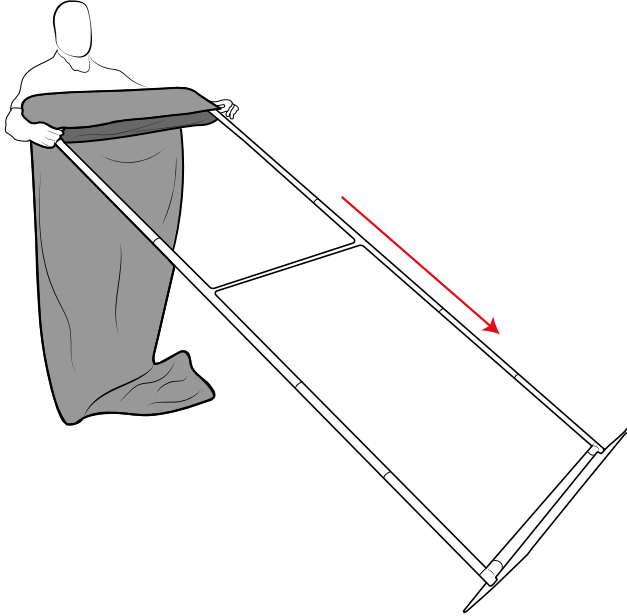


7



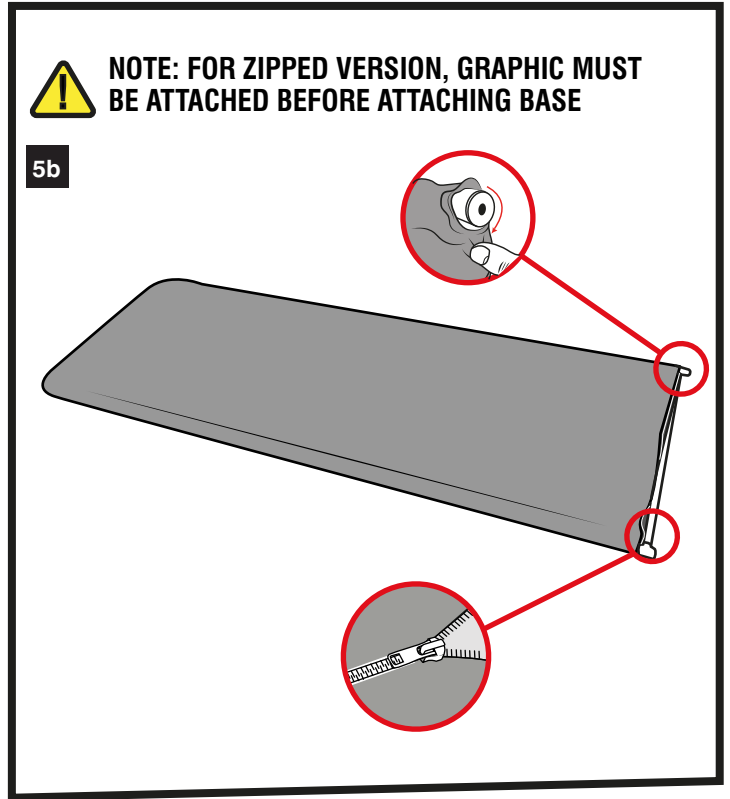


5a

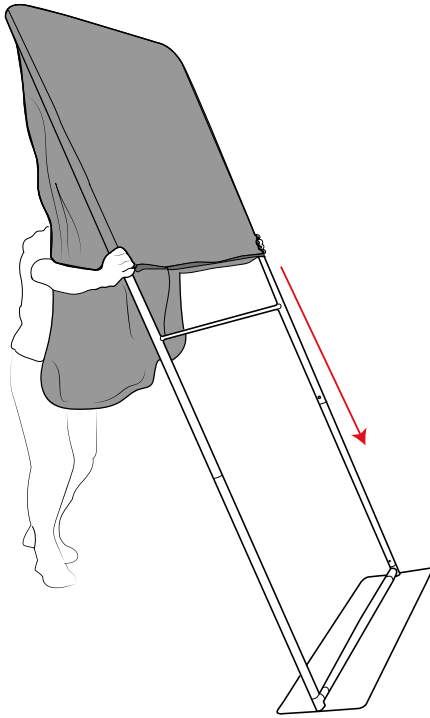


NOTE: FOR ZIPPED VERSION, GRAPHIC MUST BE ATTACHED BEFORE ATTACHING BASE

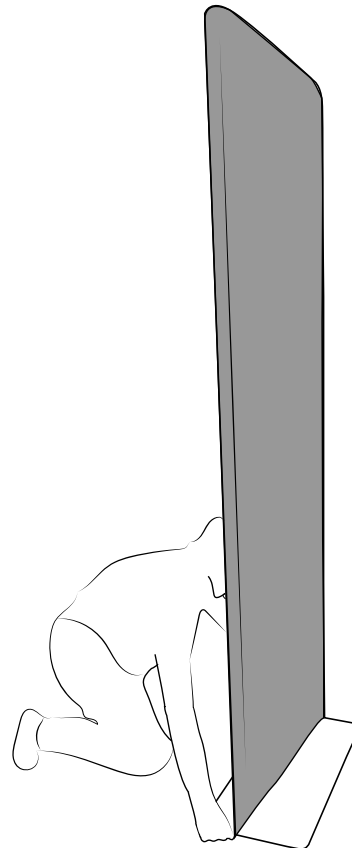
5b

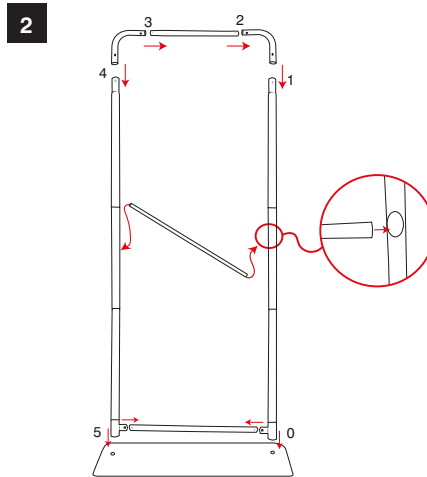
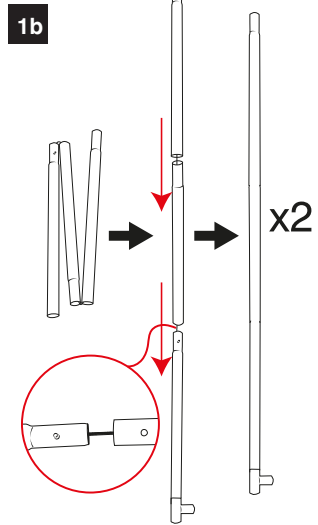
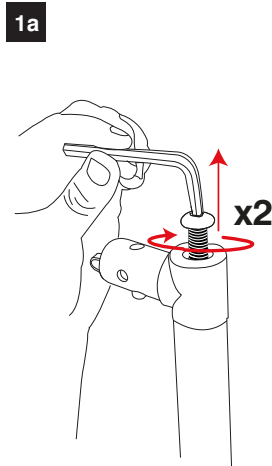
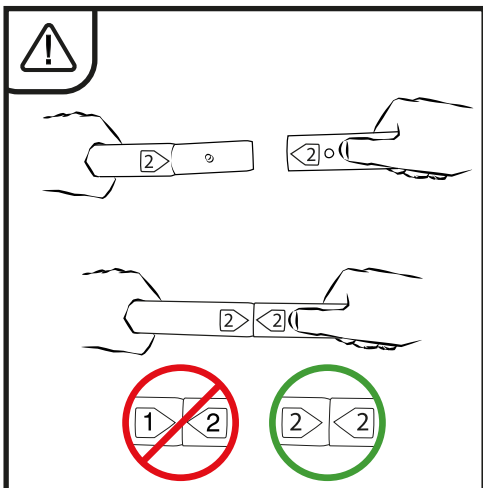
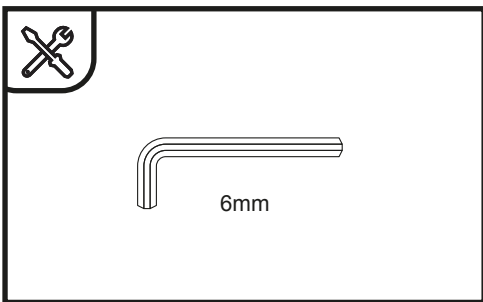
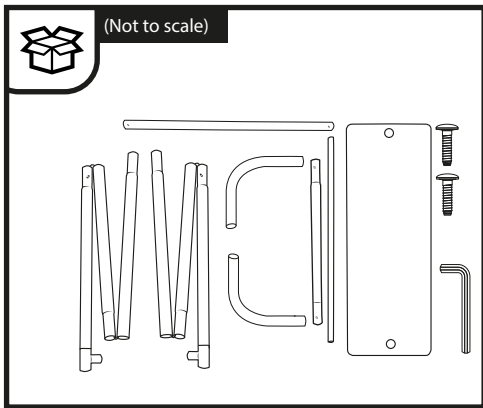


6

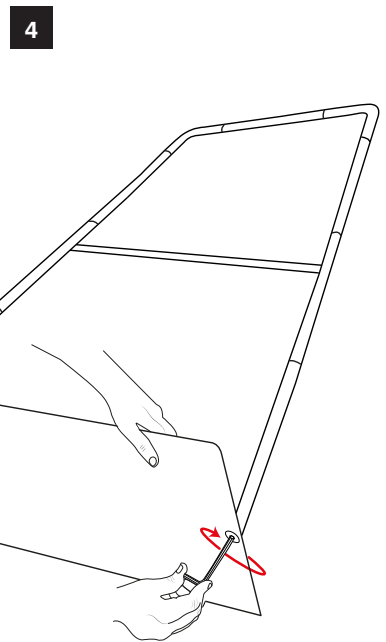
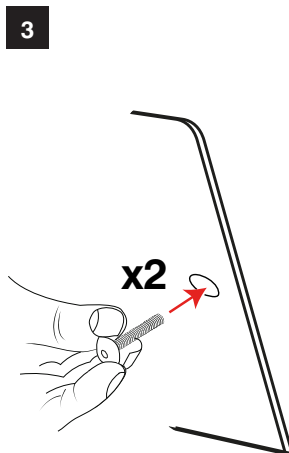


7



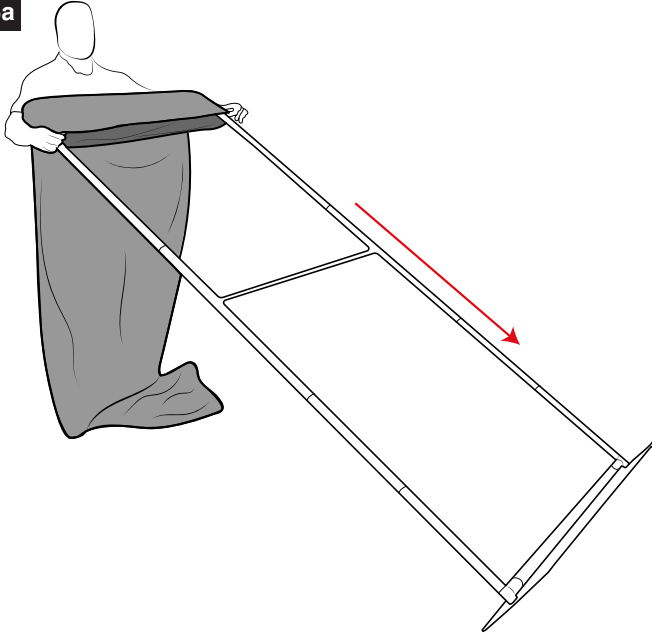


NOTE: FOR ZIPPED VERSION REFER TO STEP 5B-THEN CONTINUE TO ATTACH BASE AS PER STEPS 3 & 4



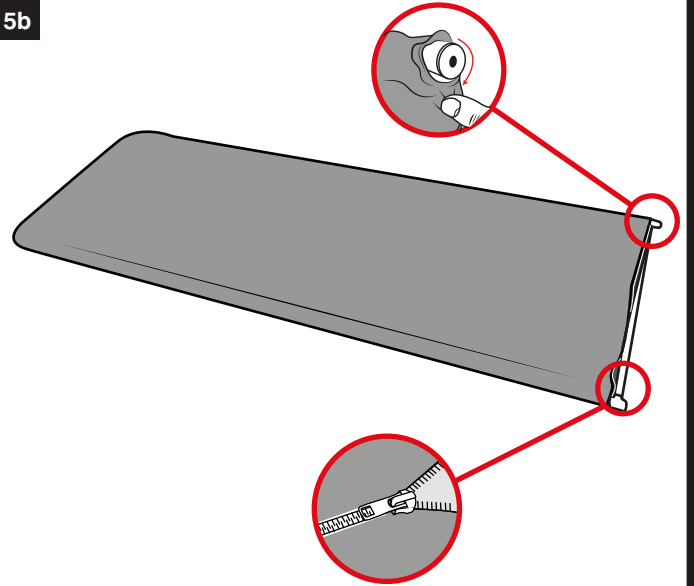


5a

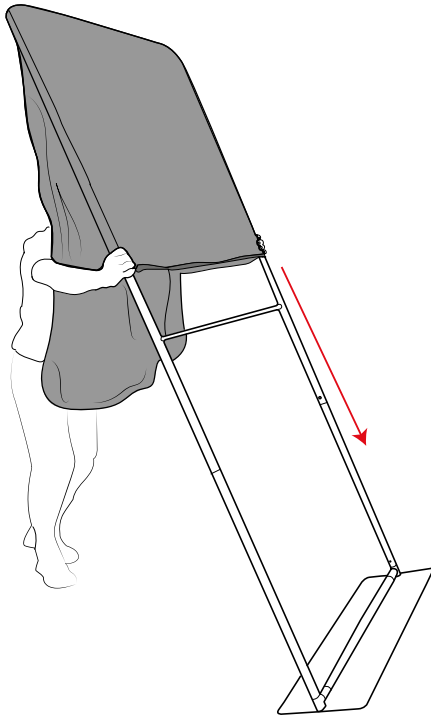


NOTE: FOR ZIPPED VERSION, GRAPHIC MUST BE ATTACHED BEFORE ATTACHING BASE

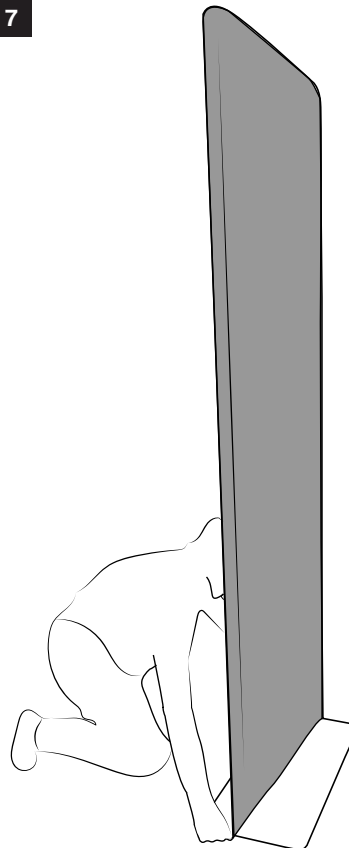
5b

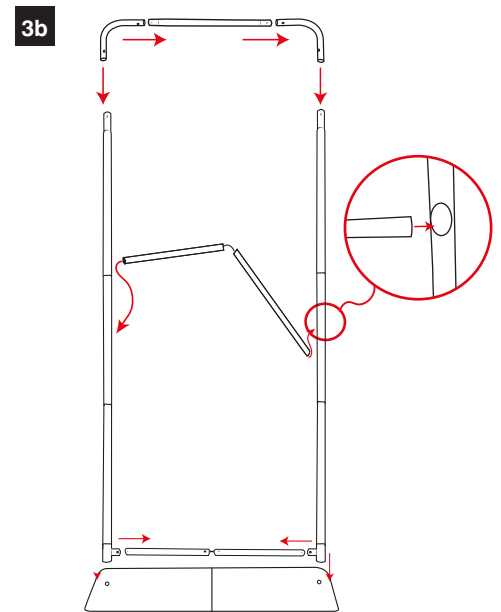
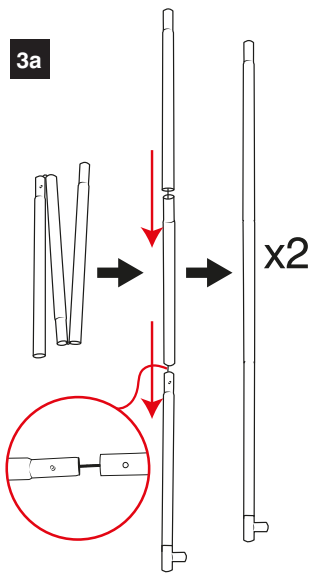
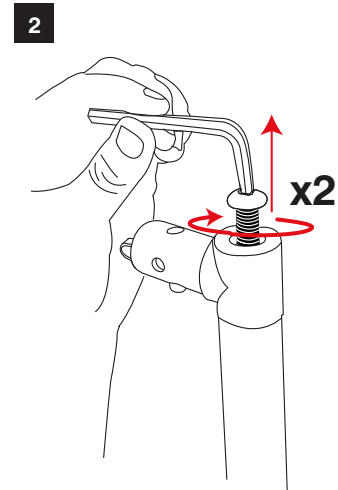
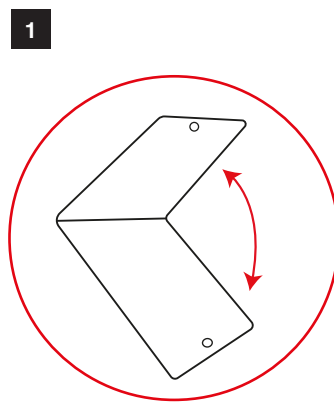
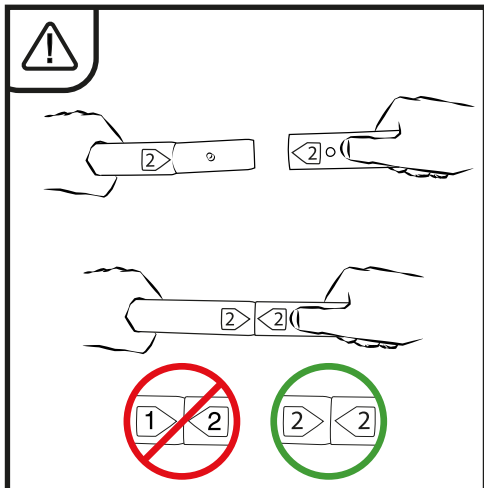
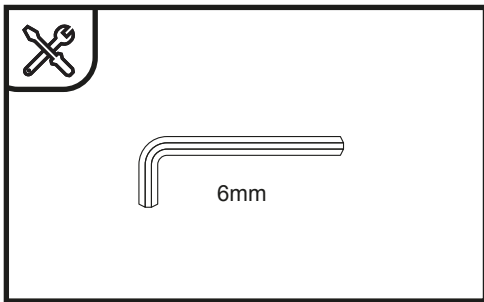
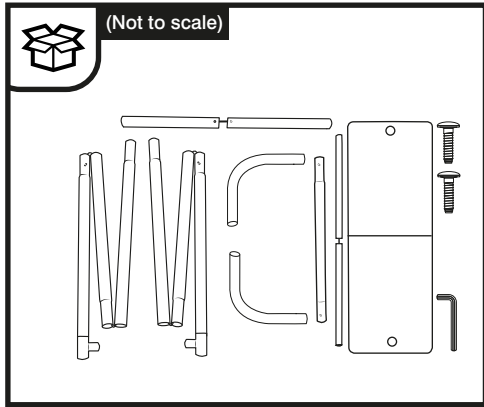


6

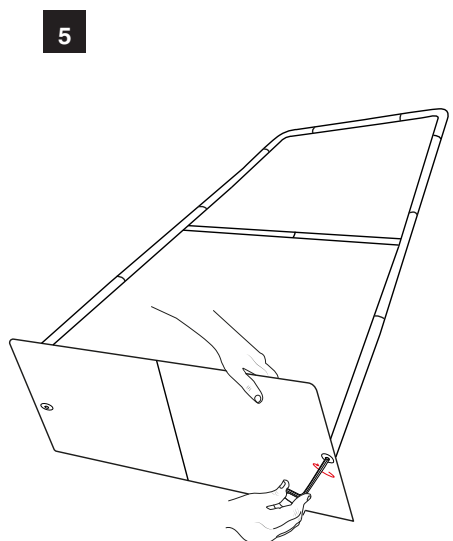
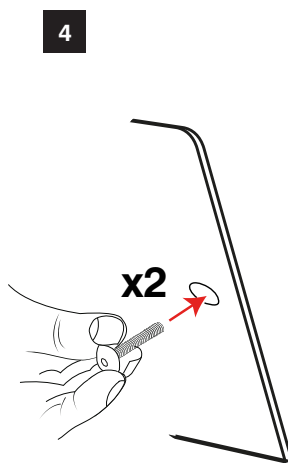


7



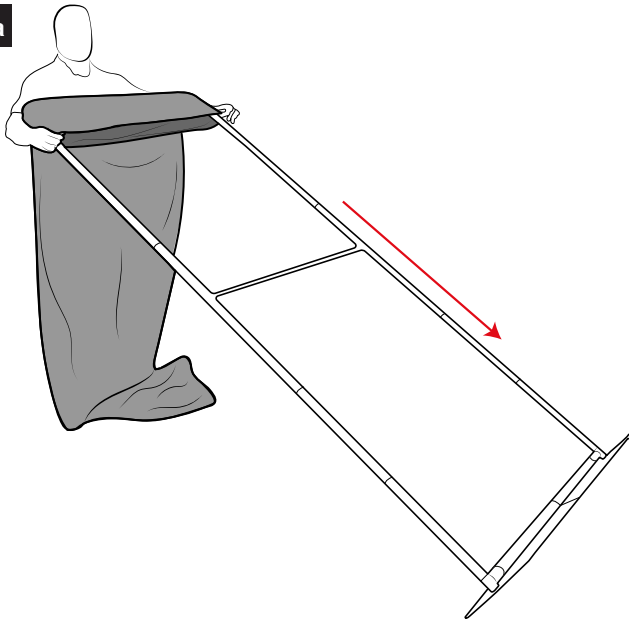


NOTE: FOR ZIPPED VERSION REFER TO STEP 6B - THEN CONTINUE TO ATTACH BASE AS PER STEPS 4 & 5



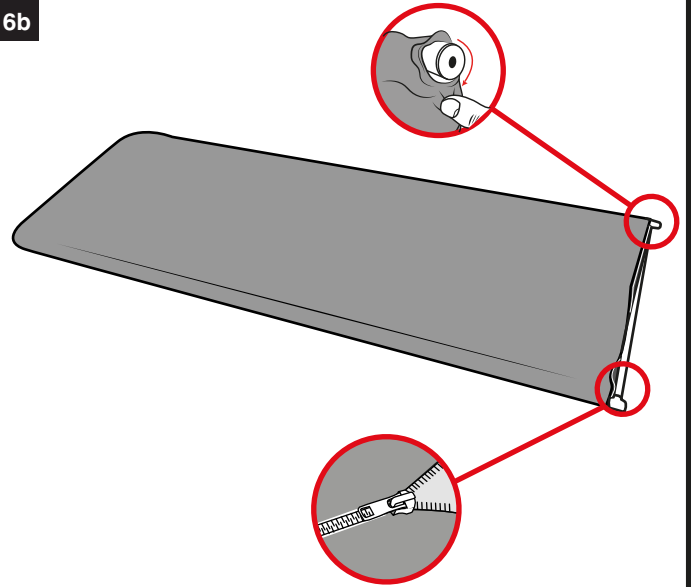


6a

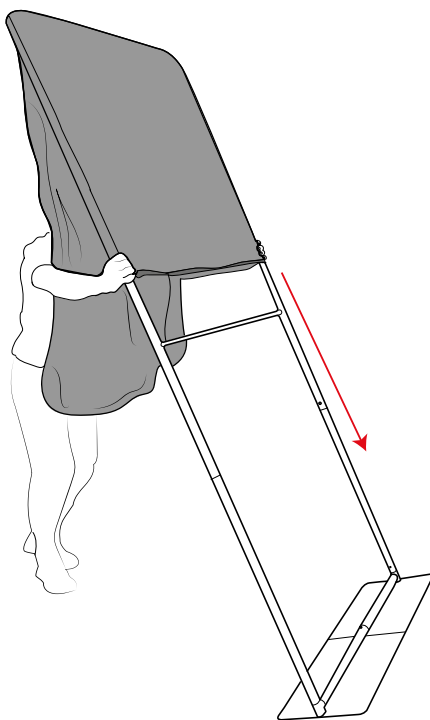


NOTE: FOR ZIPPED VERSION, GRAPHIC MUST BE ATTACHED BEFORE ATTACHING BASE

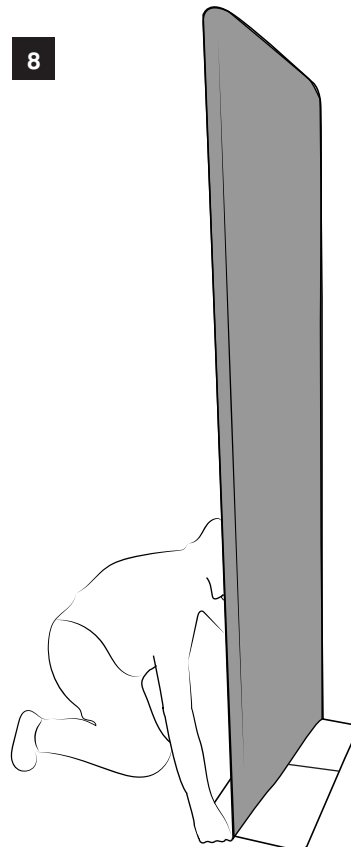
6b



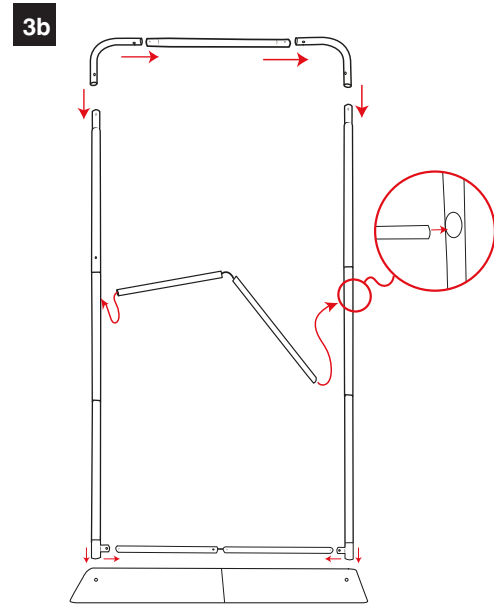
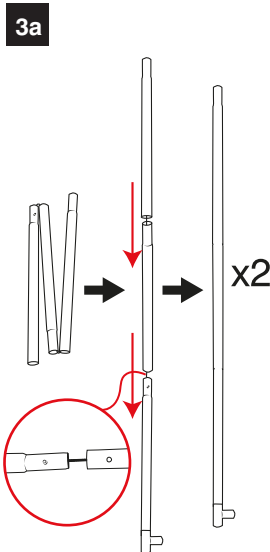
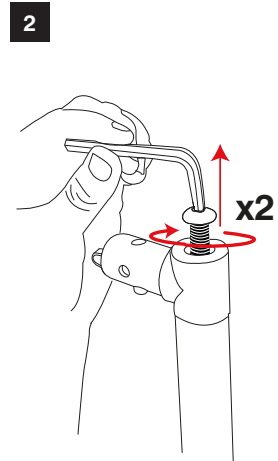
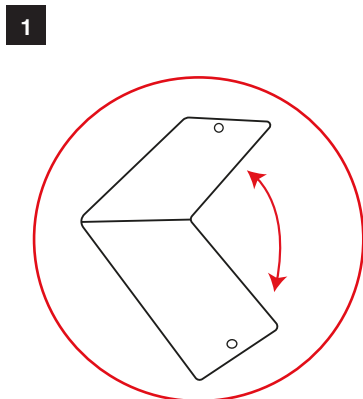
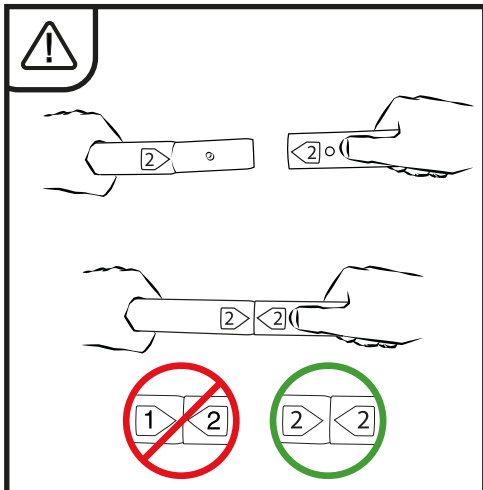
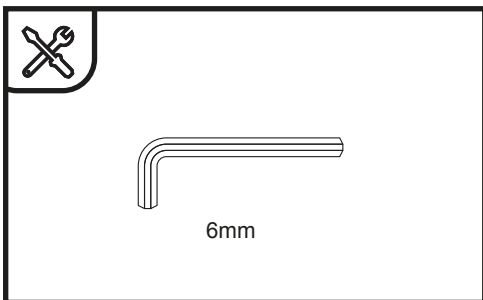
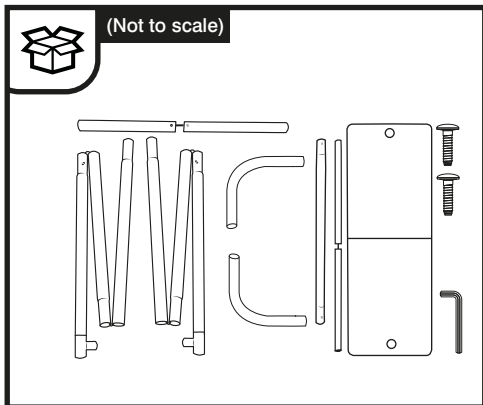
7



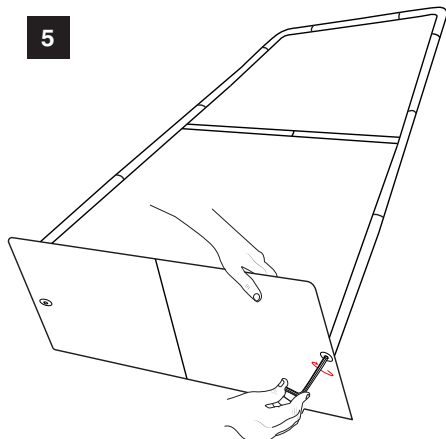
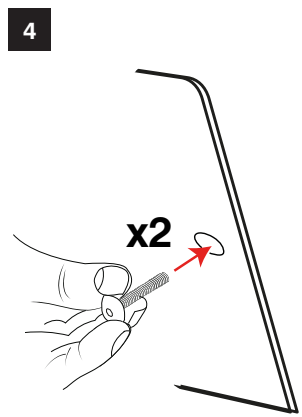
8



Tension Banners Formulate Monolith 1000mm

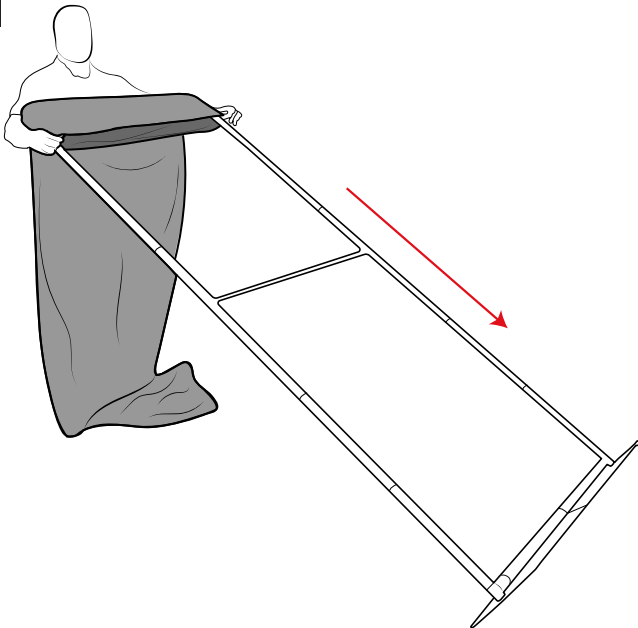


NOTE: FOR ZIPPED VERSION REFER TO STEP 6B - THEN CONTINUE TO ATTACH BASE AS PER STEPS 4 & 5



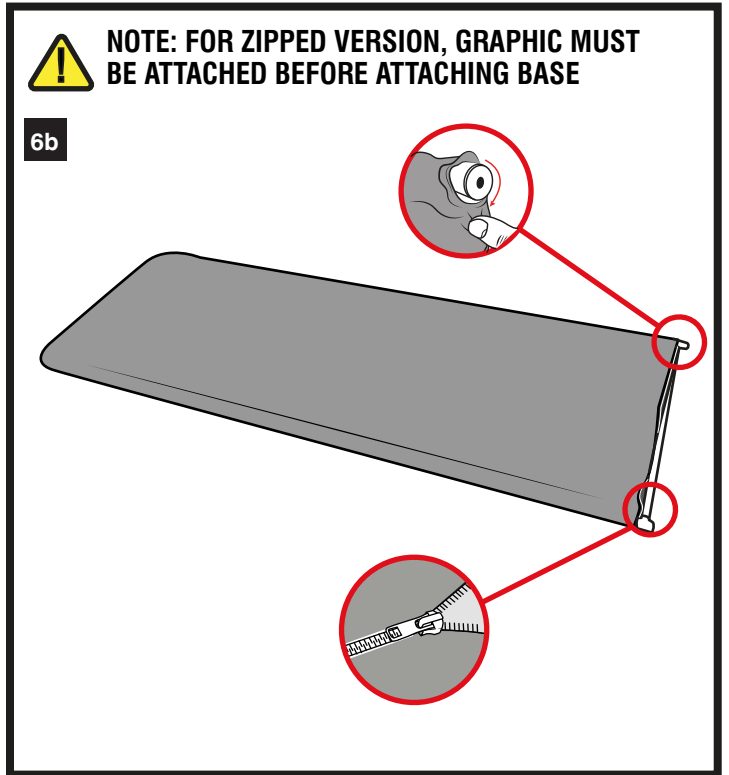


6a

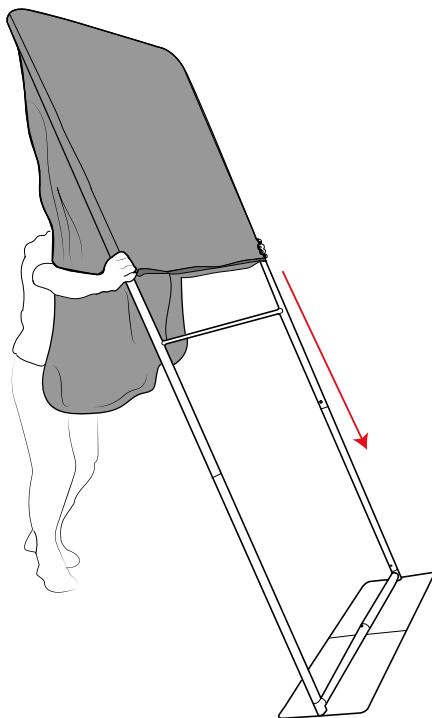


NOTE: FOR ZIPPED VERSION, GRAPHIC MUST BE ATTACHED BEFORE ATTACHING BASE

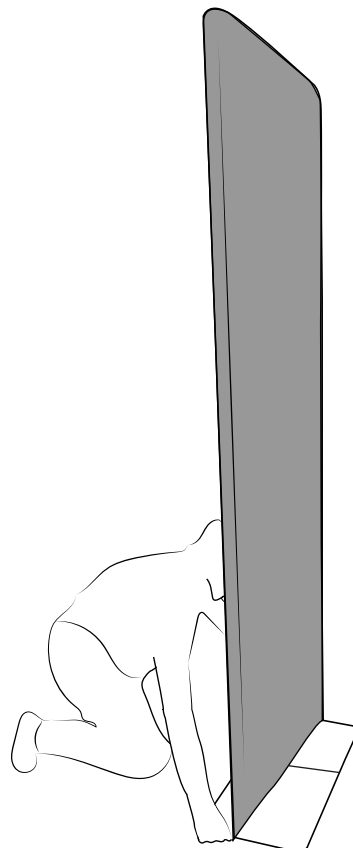
6b

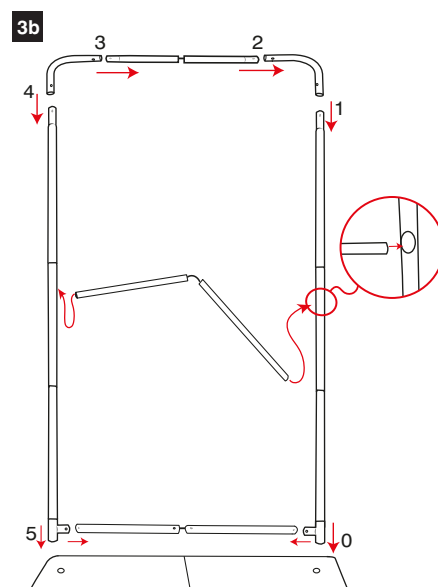
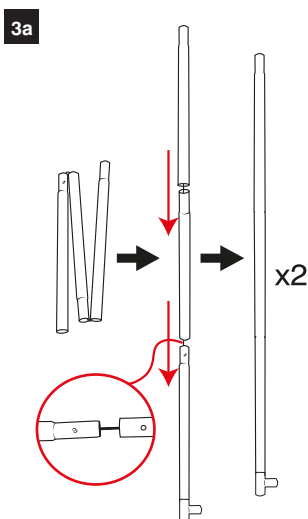
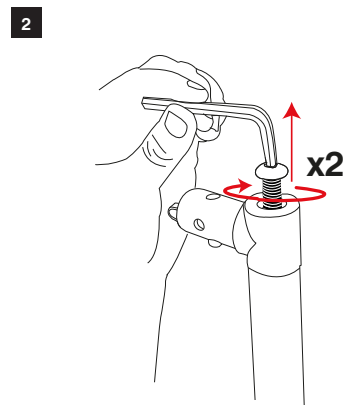
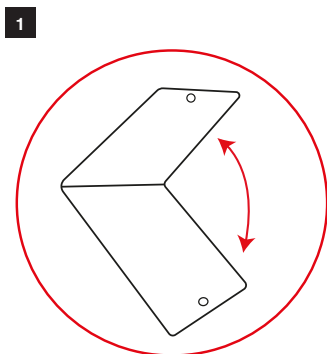
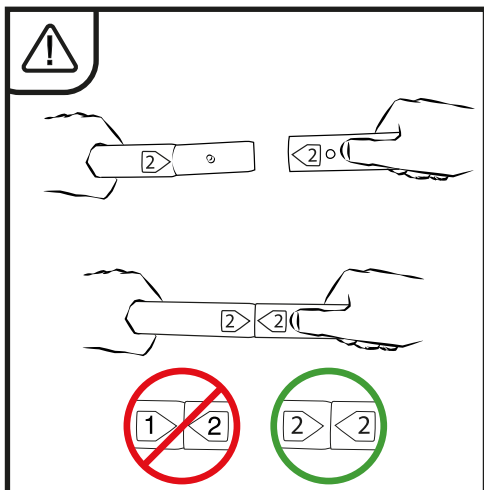
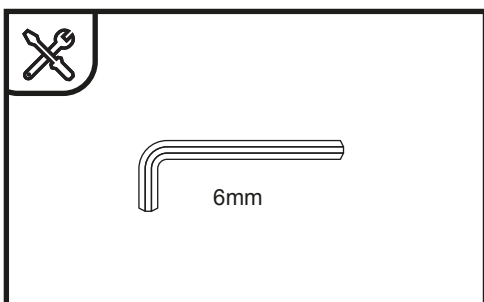
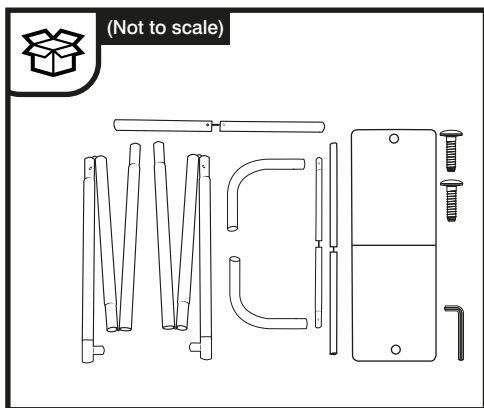


7

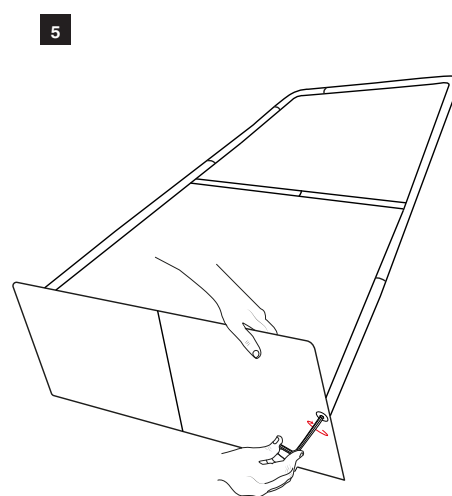
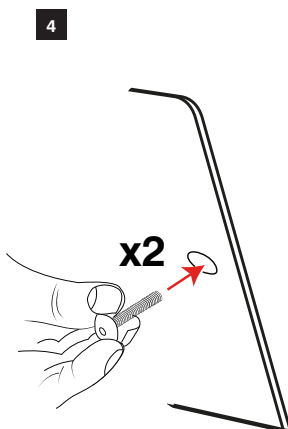


8



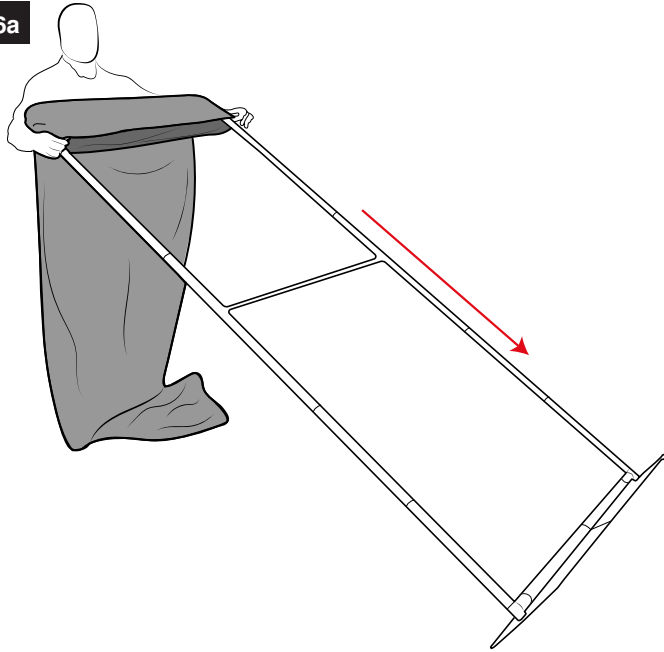


NOTE: FOR ZIPPED VERSION REFER TO STEP 6B - THEN CONTINUE TO ATTACH BASE AS PER STEPS 4 & 5



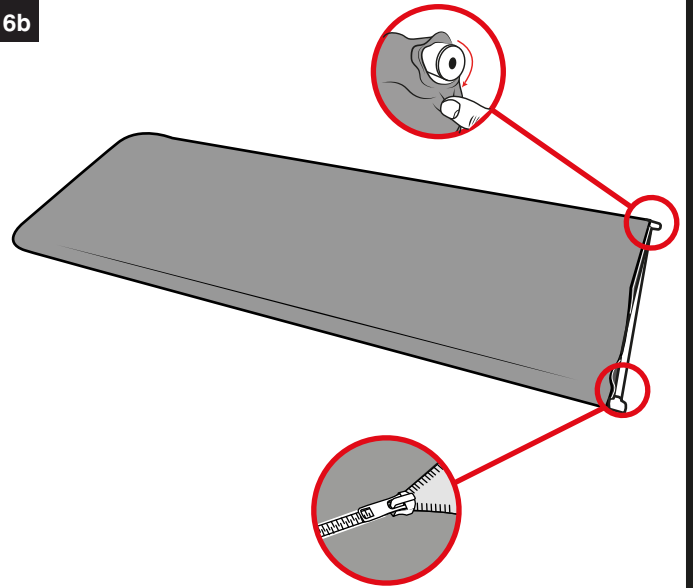


6a

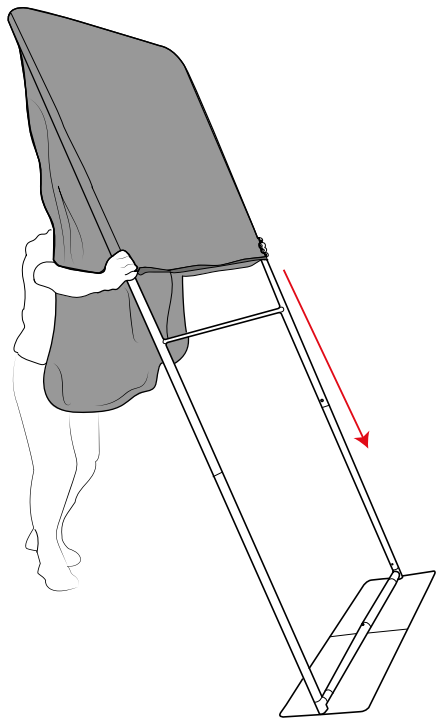


NOTE: FOR ZIPPED VERSION, GRAPHIC MUST BE ATTACHED BEFORE ATTACHING BASE

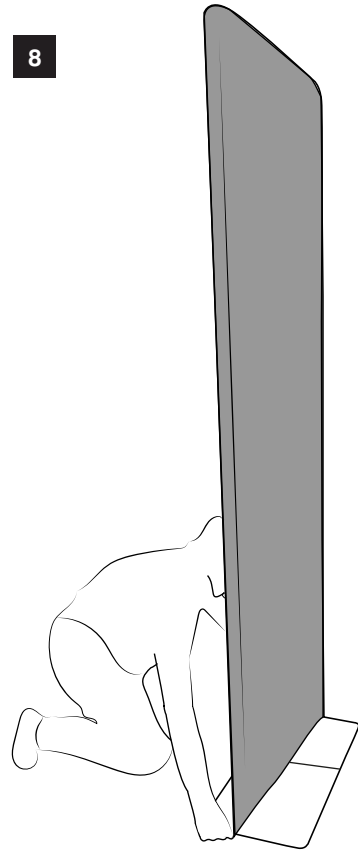
6b



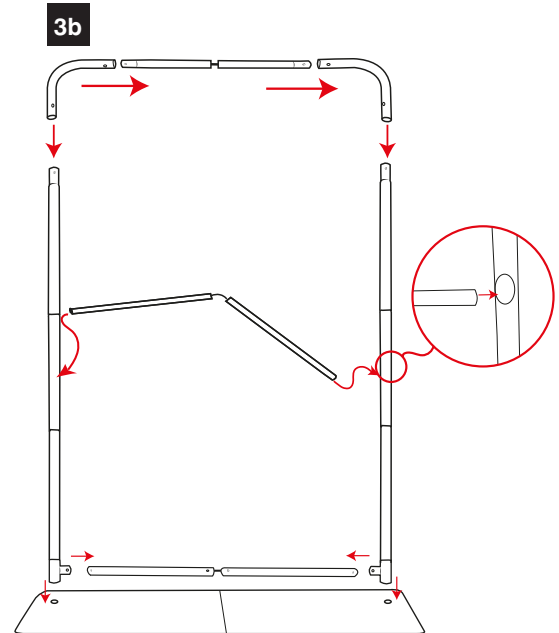
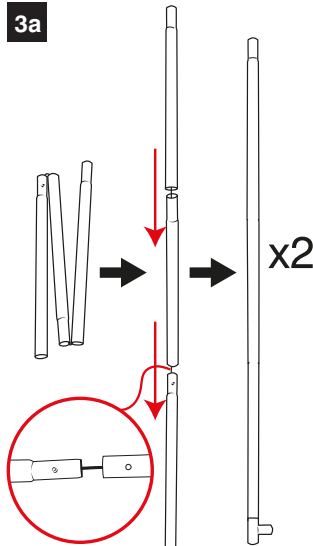
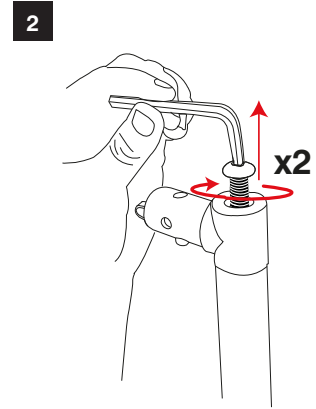
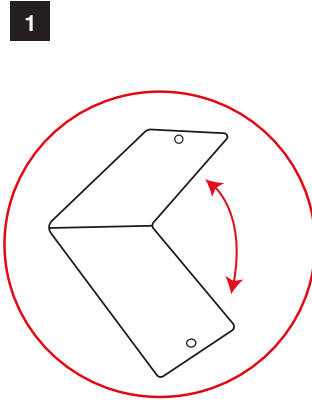
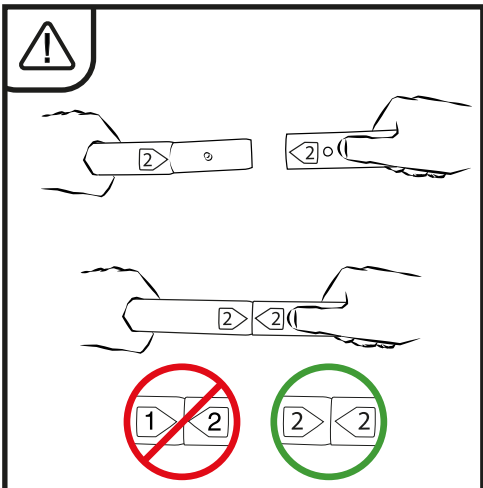
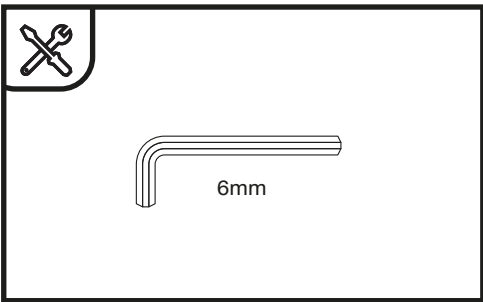
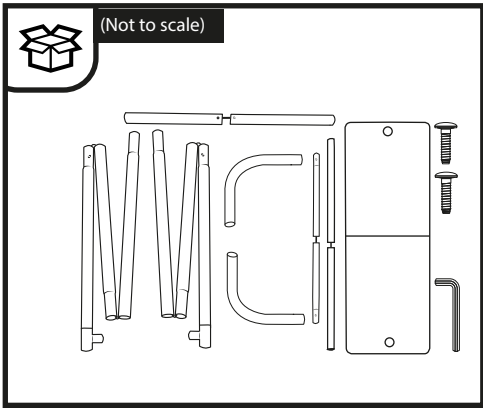
7



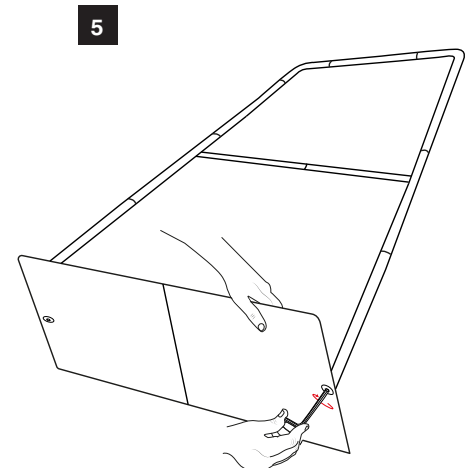
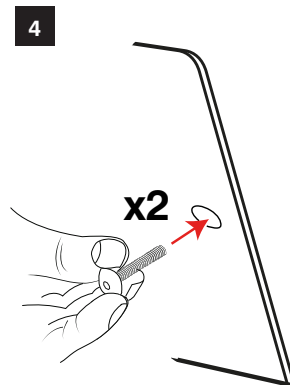
8



Tension Banners Formulate Monolith 1500mm

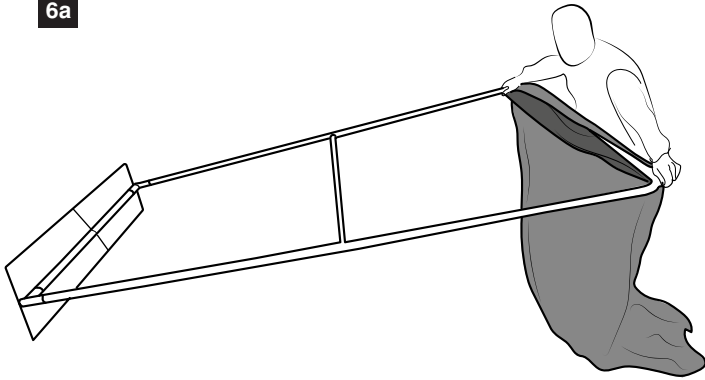


NOTE: FOR ZIPPED VERSION REFER TO STEP 6B - THEN CONTINUE TO ATTACH BASE AS PER STEPS 4 & 5



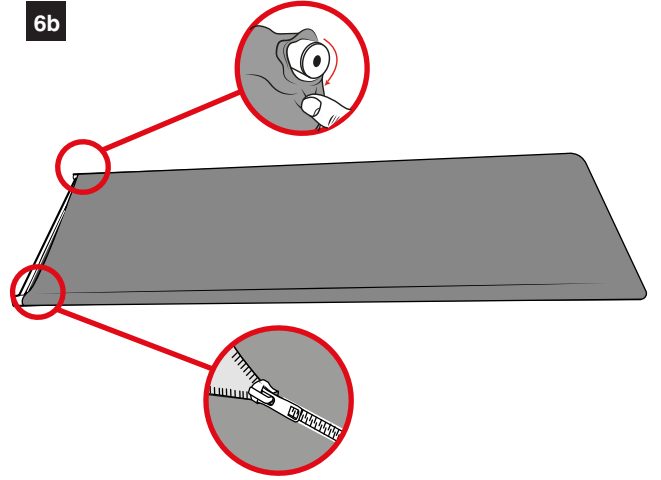


6a

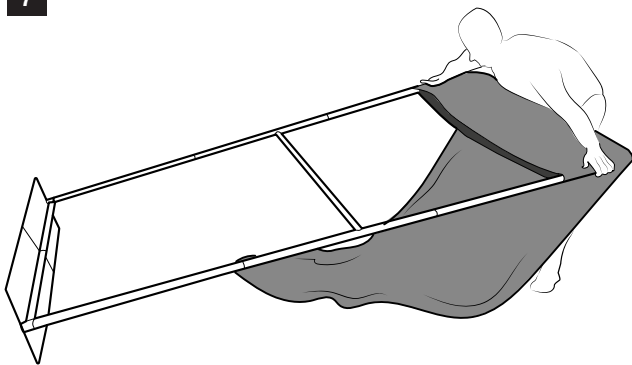


NOTE: FOR ZIPPED VERSION, GRAPHIC MUST BE ATTACHED BEFORE ATTACHING BASE

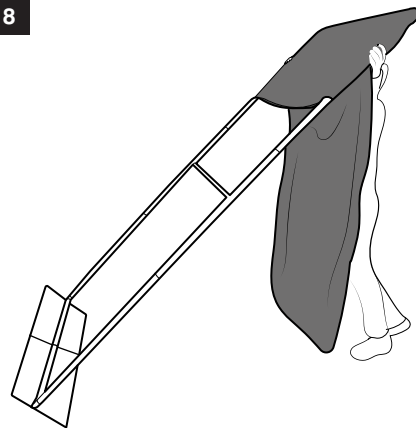
6b



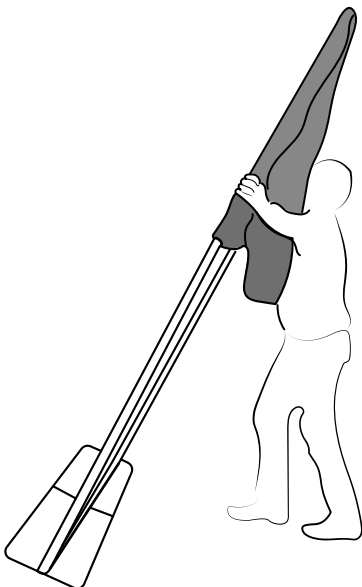
7



8



9



10

