

SPECIFICATIONS

GRAPHIC PANEL SIZE

Finished graphic panel size

2315 x 800 / 1000mm

(includes 200mm bleed)

Visual graphic area

2100 x 800 / 1000mm (this allows for the 14mm of graphic hidden by the top gripper rail)

Maximum finished graphic panel thickness

500 micron

Minimum finished graphic panel thickness

200 micron

SYSTEM SIZES

Boxed size

800mm = 830 (L) x 120 (W) x 110 (D)mm

1000mm = 1050 (L) x 140 (W) x 120 (D)mm

Assembled size

800mm = 815 (W) x 275 (D) x 2155 (H)mm

1000mm = 1015 (W) x 275 (D) x 2155 (H)mm

BOXED WEIGHT

800mm = 3kg

1000mm = 3.6kg

COMPONENT LIST

Genie unit

3 part bungeed pole

Graphic gripper rail

Padded carry bag

Hook fastener

plex®

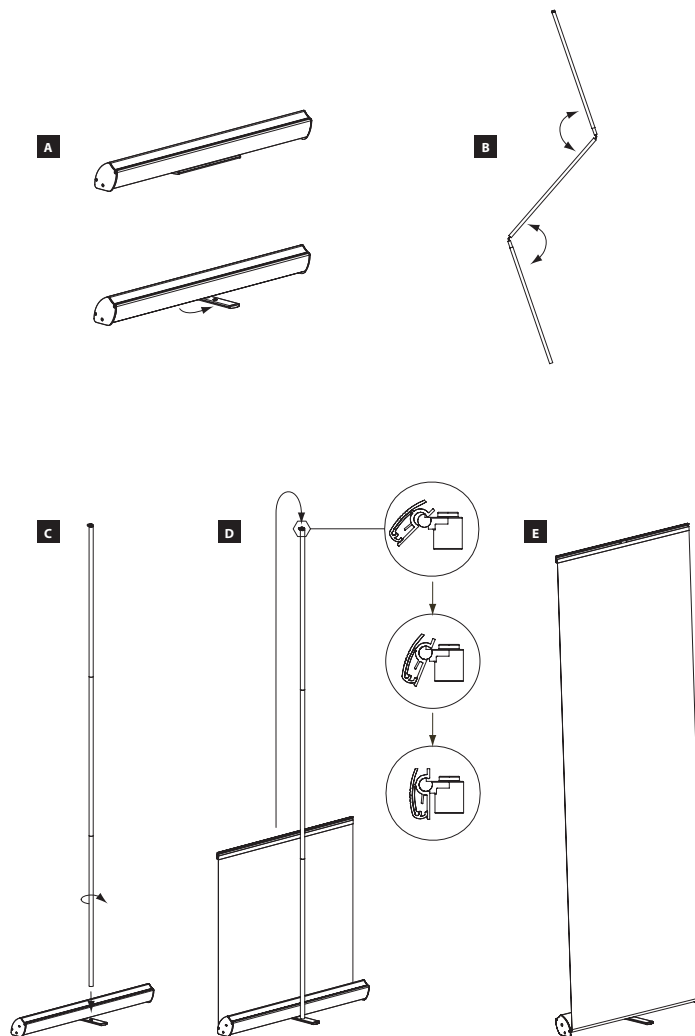
International Patent Application

No. WO 02/057588

No. PCT/GB02/00129 in USA

Issue 13 - March 2018

GENIE BANNER STAND ASSEMBLY INSTRUCTIONS

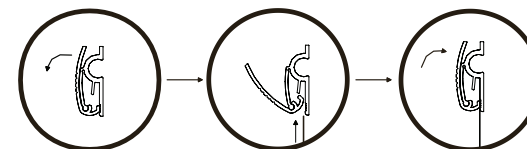


IMPORTANT NOTE

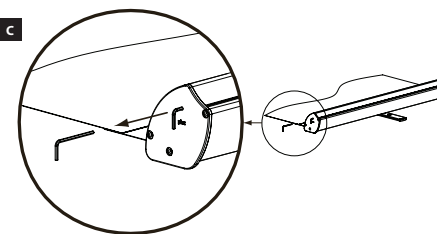
When retracting a graphic always slowly guide it into base housing, otherwise graphic damage may occur.

GRAPHIC ATTACHMENT

A Insert top of graphic panel into profile as shown below.



B Attach hook fastener to rear bottom edge of graphic panel. Attach graphic panel leader sheet by positioning hook fastener against loop fastener. Ensure graphic panel is aligned parallel to the leader sheet.



C Holding onto graphic, remove locking pin and allow graphic to slowly retract into unit.

ADDING OR REMOVING GRAPHIC TENSION



Insert a standard flat headed screwdriver into slot located in the end of unit and turn clockwise to add extra graphic tension

REMOVING THE TENSION FROM A GENIE

To un-tension graphic panel, place a flat headed screwdriver into the slot and push to disengage ratchet. Hold in and turn anti-clockwise until tension in spring is released. To remove graphic panel, carefully peel it off leader sheet. The gripper rail can be removed and re-used.

IMPORTANT NOTE

To ensure a proper bond between graphic and hook fastener strip pressure must be applied. The adhesive should be allowed to cure for 24 hours before tension is applied.