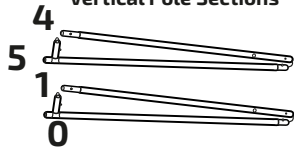


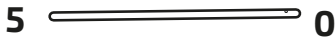
PARTS (NOT TO SCALE)

820 Straight

Vertical Pole Sections



Bottom Horizontal Pole



Support Pole



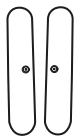
Radius Top Corner Sections



Top Horizontal Pole



Feet



Gloves



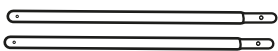
Optional Half Feet



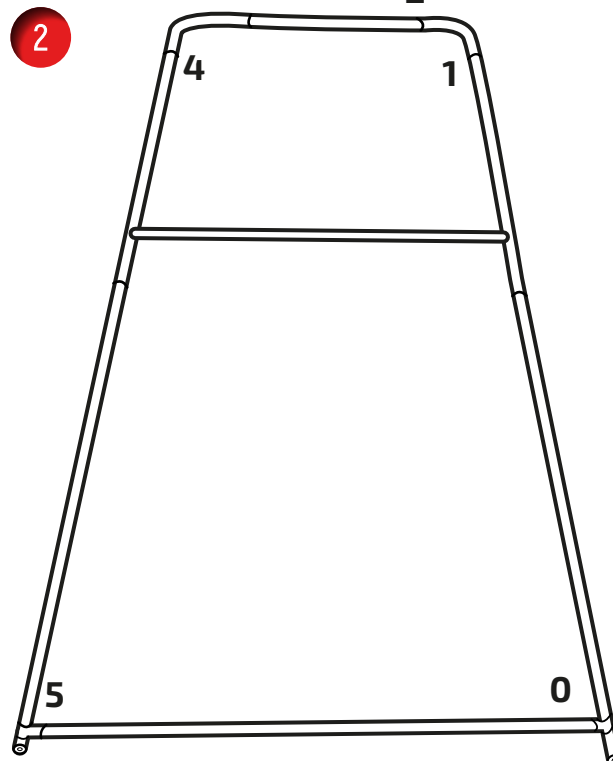
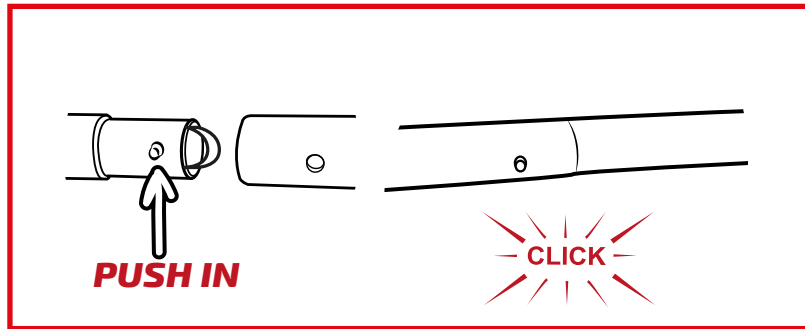
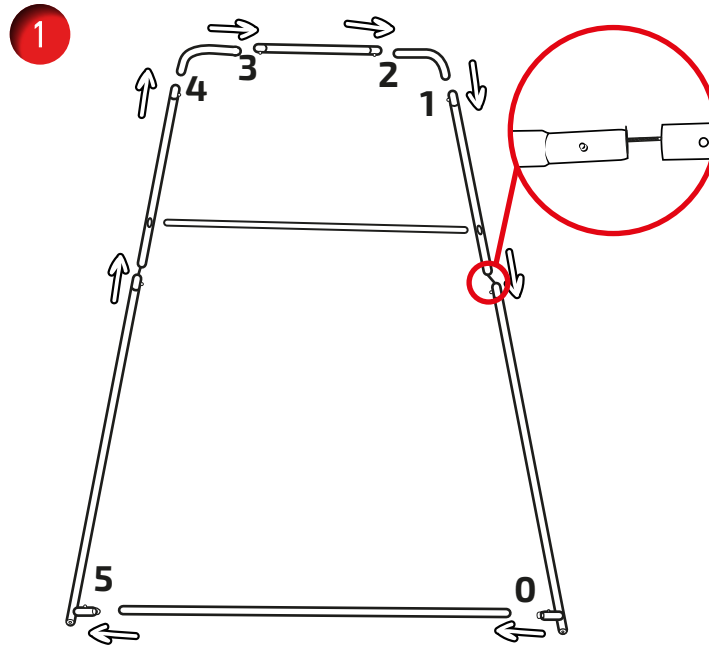
NOT SUPPLIED WITH KIT AND THEY ARE SOLD SEPARATELY

824 Straight

Extension poles (x2)

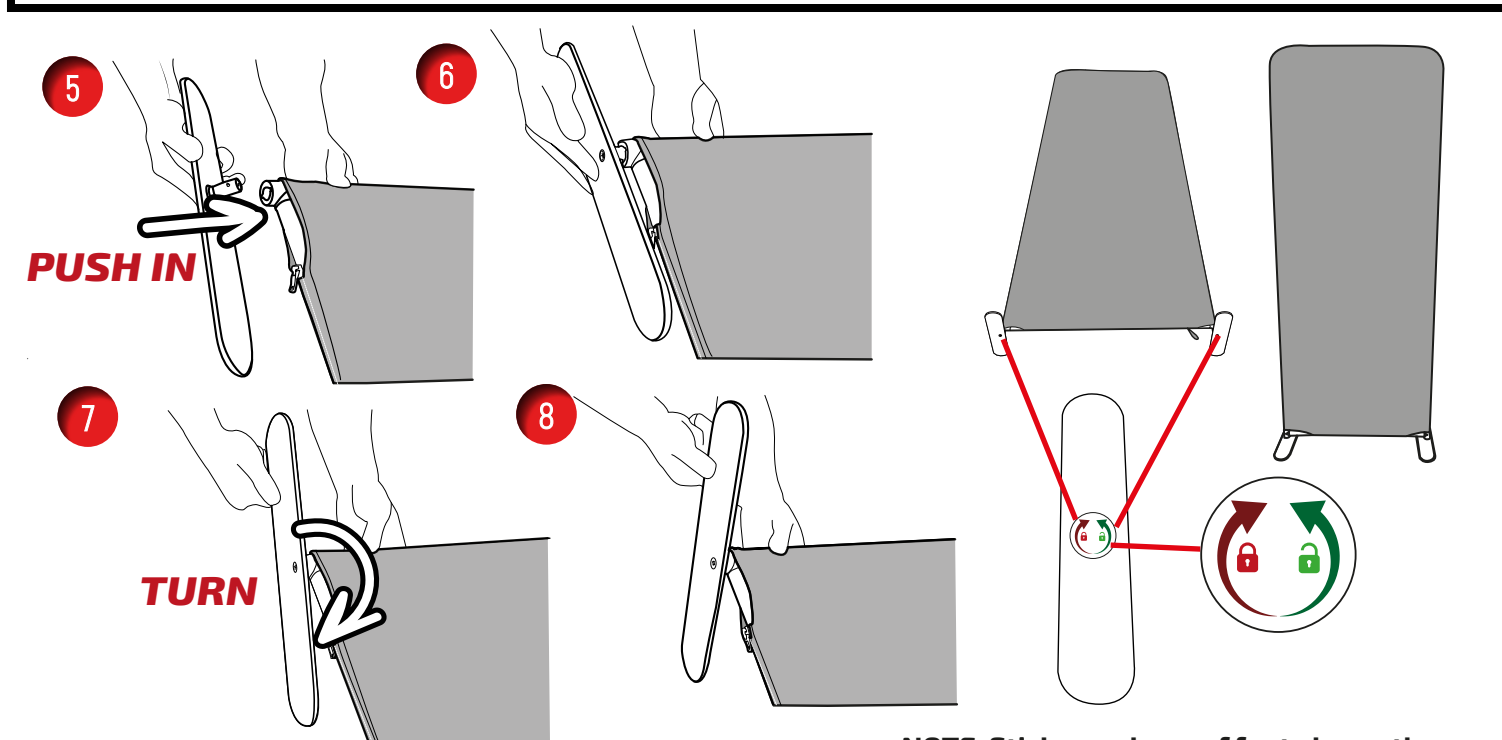
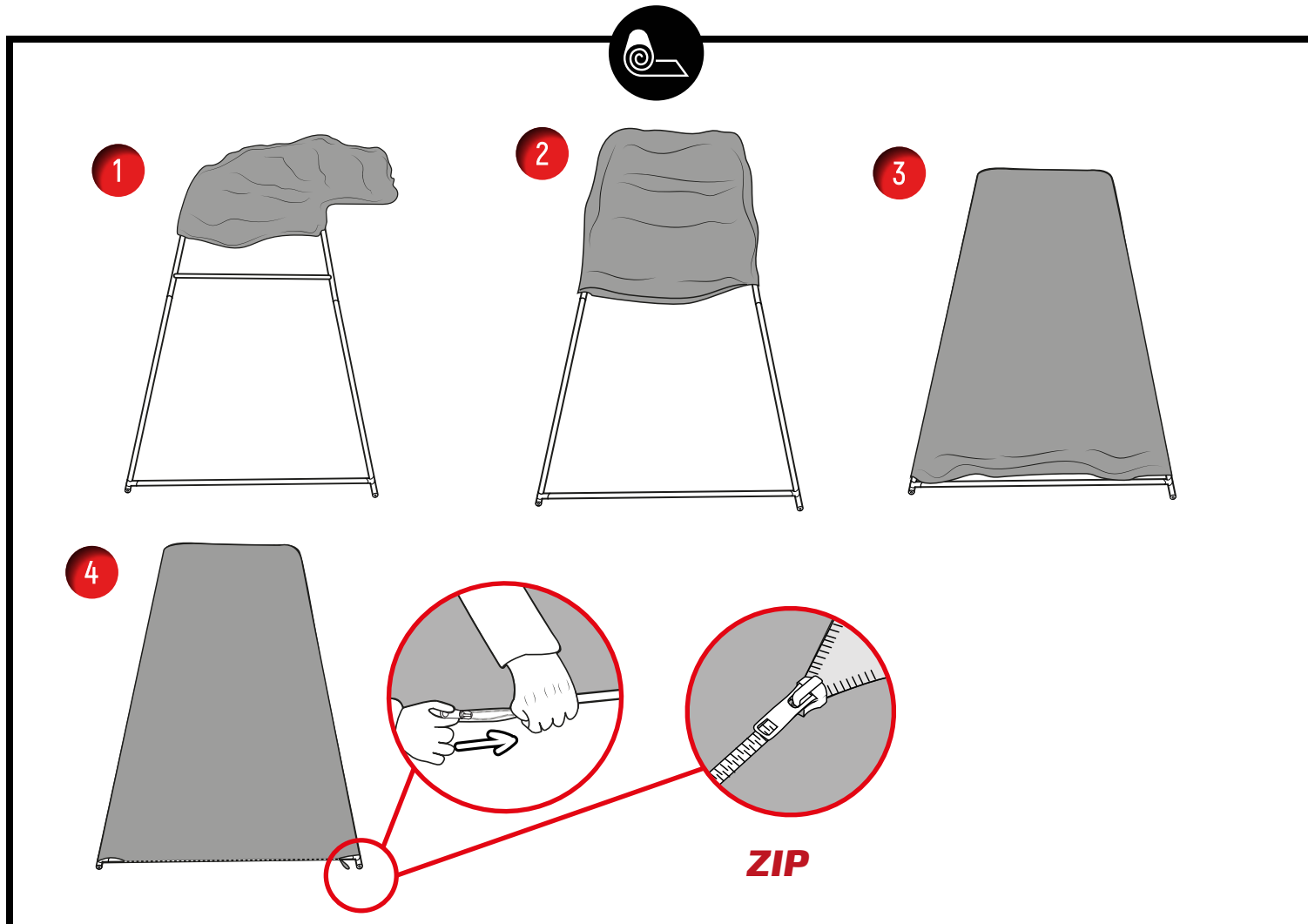


NOTE: The extension poles are used for 824 Straight frames



Modulate Straight Frames Modulate 820 and 824 (Straight)

Aug 2018



Turn clockwise to lock foot in position
Turn anti-clockwise to unlock foot

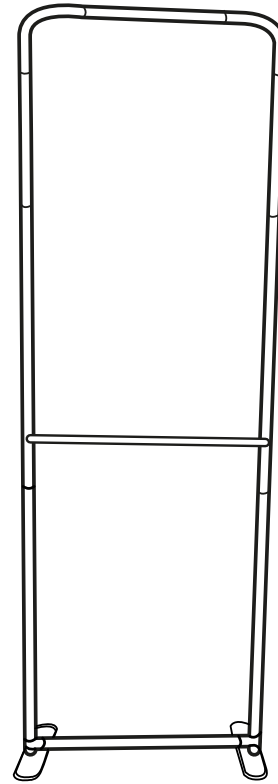
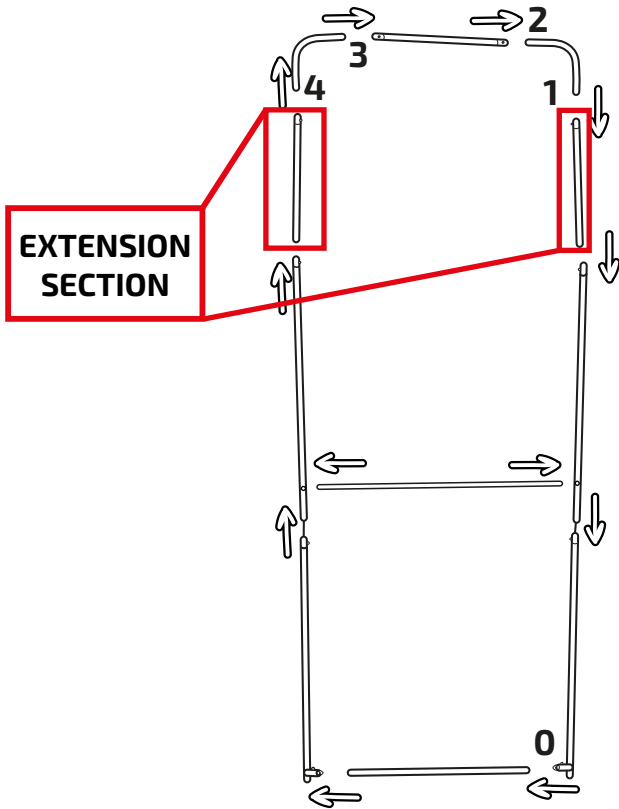
NOTE: Sticker on base of foot shows the directions for locking/unlocking foot

NOTE: TWO POSITIONS FOR THE FEET (SEE OPTION 1 FOR SECOND POSITION)



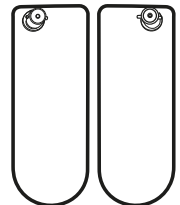
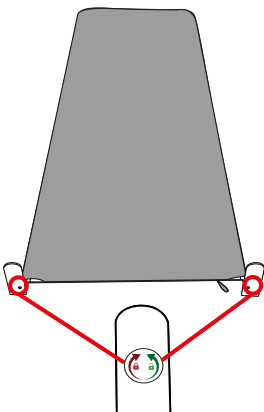
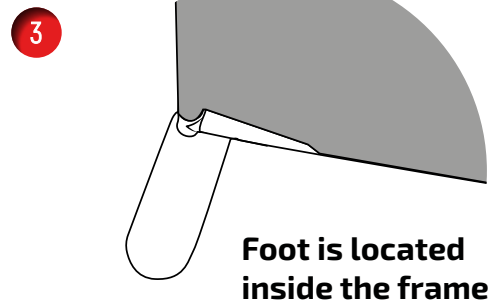
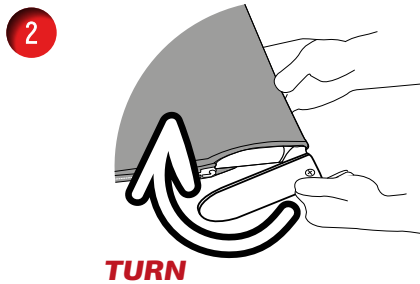
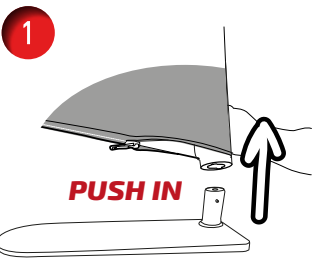
OPTIONAL (EXTENSION KIT)

NOTE: EXTENSION SECTION SUPPLIED WITH 824 STRAIGHT FRAME



OPTIONAL (HALF FEET)

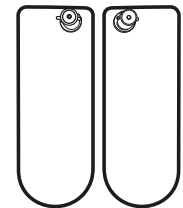
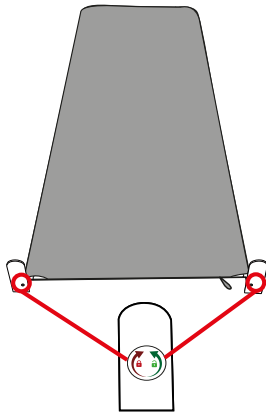
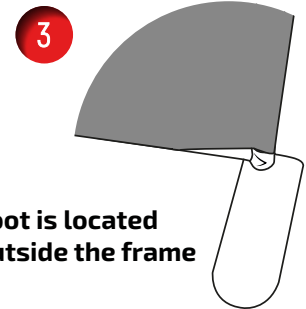
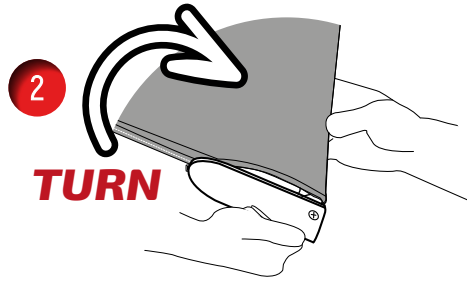
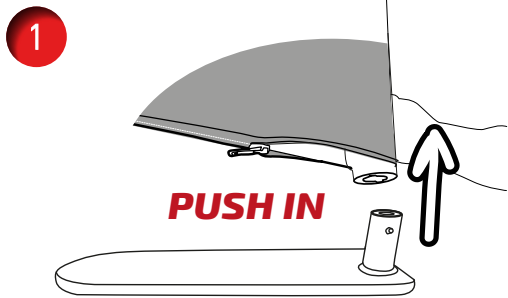
OPTION 1 NOTE: HALF FEET CAN BE POSITIONED ONTO THE FRAME TWO DIFFERENT WAYS



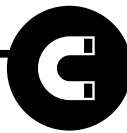
Turn clockwise to lock foot in position
Turn anti-clockwise to unlock foot



OPTION 2



Turn clockwise to lock foot in position
Turn anti-clockwise to unlock foot

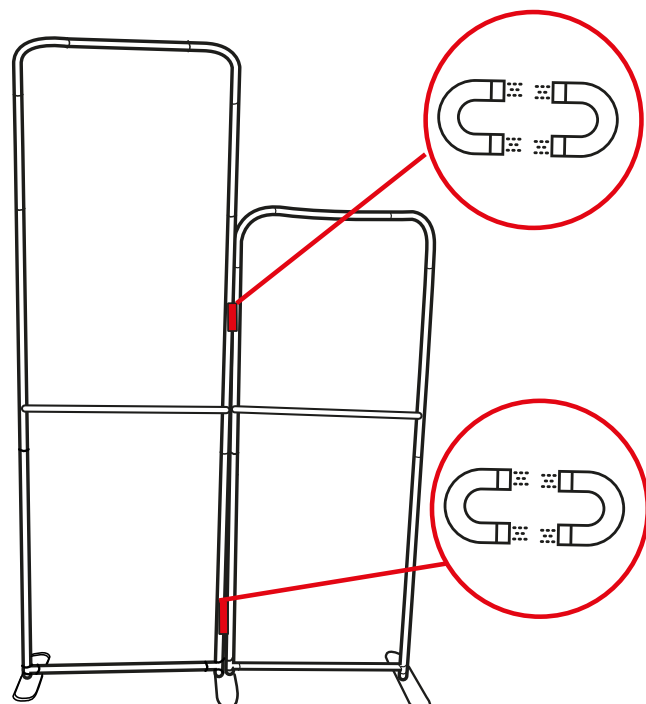
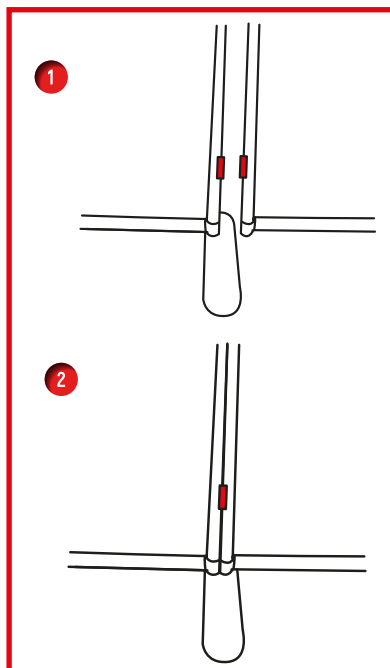


CONNECTING MULTIPLE FRAMES

NOTE: 824 STRAIGHT NOT INCLUDED

Remove one foot from second frame and align both frames on one foot

NOTE: FOLLOW OPTION 2 FOR HALF FEET TO CONNECT TWO FRAMES ON ONE FOOT



824 Straight Frame and 820 Straight Frame