

XL FABRIC POP UP



Sizes Available

2x2: H 200 x W 200 x D 29.2cm

2x3: H 200 x W 297 x D 29.2cm

2x4: H 200 x W 396 x D 29.2cm

3x2: H 297 x W 200 x D 29.2cm

3x3: H 297 x W 297 x D 29.2cm

3x4: H 297 x W 396 x D 29.2cm

All sizes are approximate

Recommended Media

210gsm Display Polyester

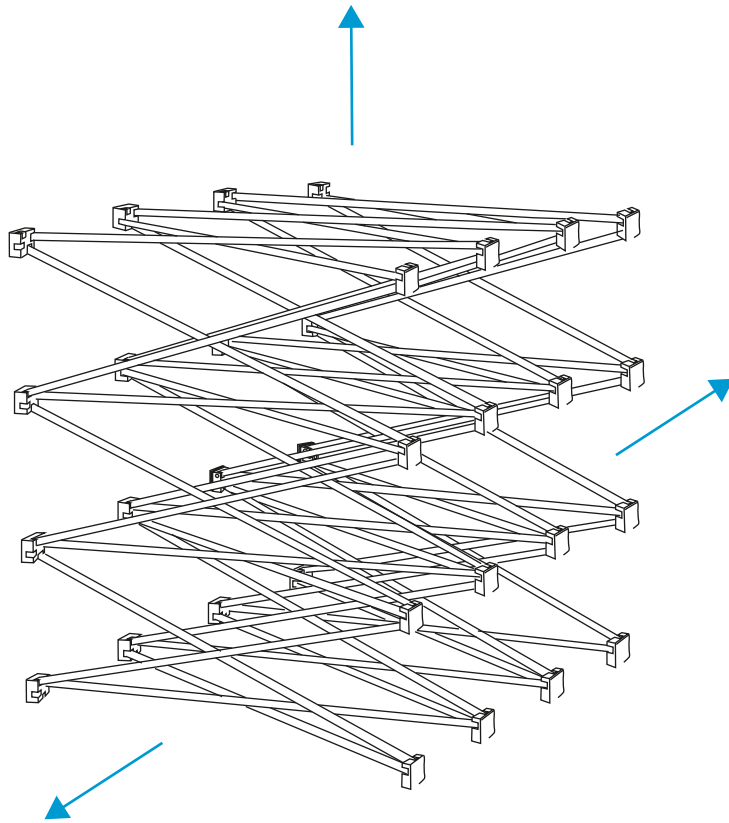
230gsm Display Polyester

260gsm Display Polyester

ASSEMBLY INSTRUCTIONS

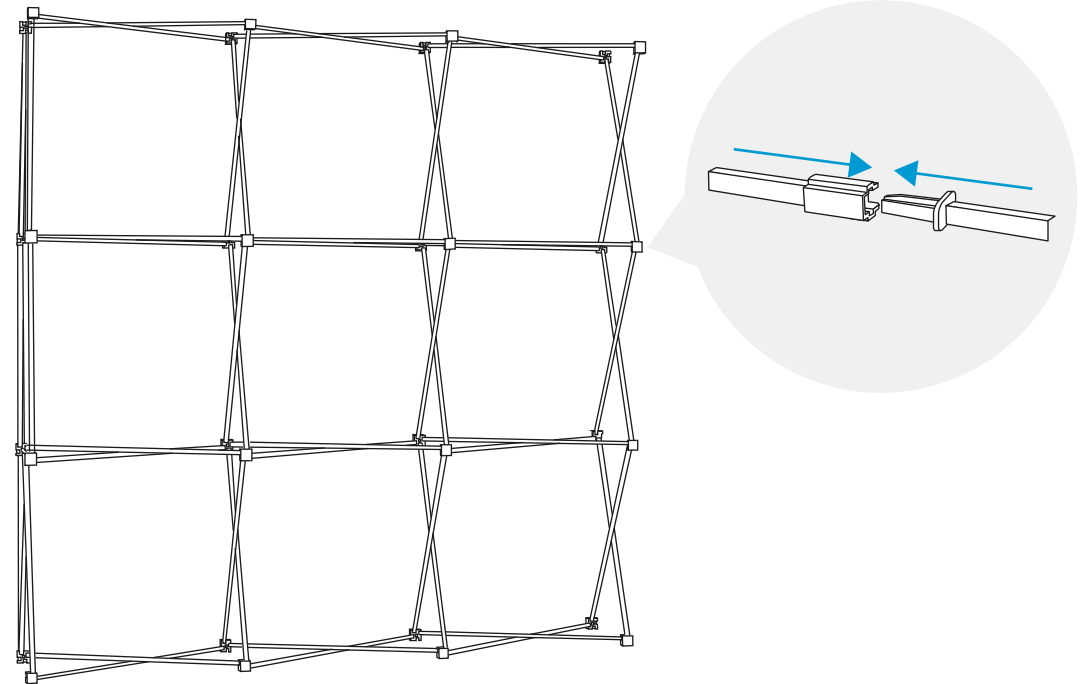
Remove frame from carry case.

- 1 Expand the frame to open position with the adjustable feet on the floor.



- 2

Starting from near the centre, ensure locking arms are locked together on every joint.



ASSEMBLY INSTRUCTIONS CONTINUED

3

Attach your textile graphic to the framework using the hook & loop fasteners which are placed around the perimeter of the frame and graphic. Ensure you keep the fabric as straight as possible as you affix to each corner.

