

## SPECIFICATIONS

### GRAPHIC PANEL SIZES

Finished graphic panel size

2300 x 850/800mm

[Includes 200mm bleed]

### Visual graphic area

2100 x 850/800mm

### SYSTEM SIZES

#### Boxed size

850mm - 900 [l] x 105 [w] x 105 [d]mm

800mm - 850 [l] x 105 [w] x 105 [d]mm

#### Assembled size

850mm - 865 [w] x 270 [d] x 2185 [h]mm

800mm - 815 [w] x 270 [d] x 2185 [h]mm

#### BOXED WEIGHT

850mm - 2.1kg

800mm - 2.0kg

**NOTE:** Please test your substrate suitability before use.

## COMPONENT LIST

1x Zeta unit

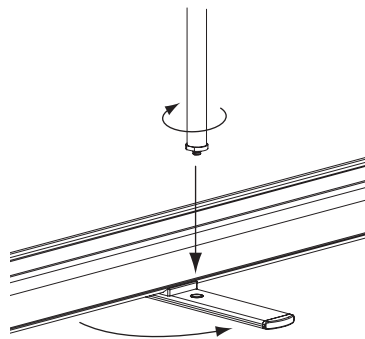
1x 3 part telescopic pole

1x Graphic hanger including self-adhesive hanging strip

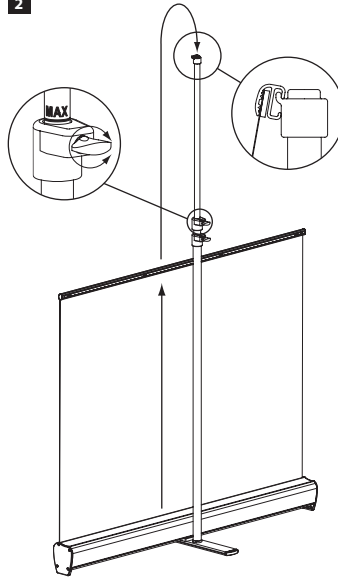
1x Carry bag

## ZETA BANNERSTAND ASSEMBLY INSTRUCTIONS

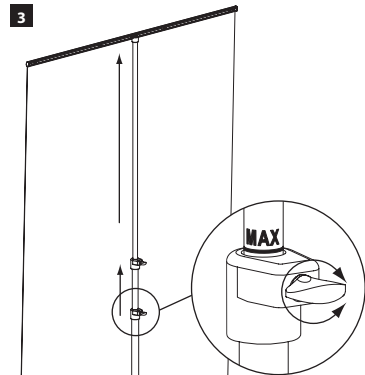
1



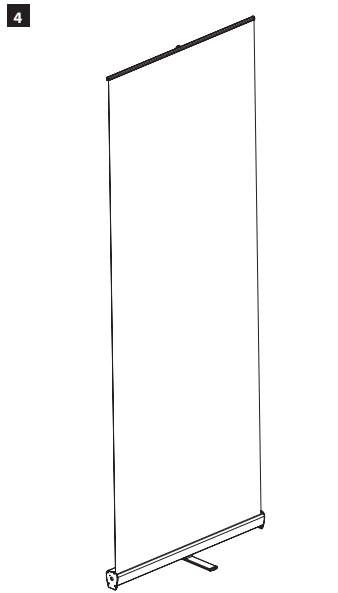
2



3



4



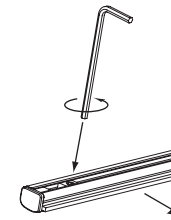
### IMPORTANT NOTICE:

When retracting a graphic always slowly guide it into base housing, otherwise graphic damage may occur.

## GRAPHIC ATTACHMENT

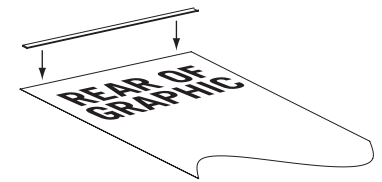
1

Use allen key that is stored in underside of foot.

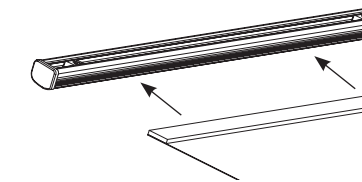


2

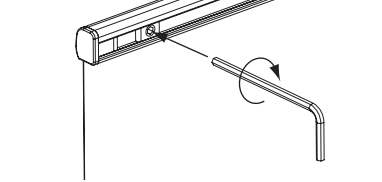
Attach self-adhesive hanging strip to rear top edge of graphic.



3

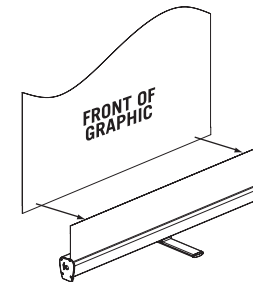


4



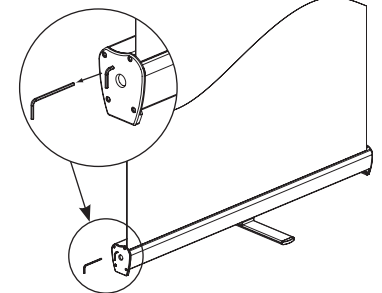
5

Attach front bottom edge of graphic panel to double-sided tape on leader sheet.



6

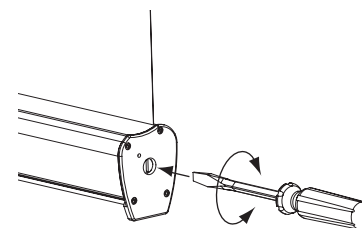
Holding onto graphic, remove locking pin and allow to slowly retract into unit.



### IMPORTANT NOTICE:

To ensure a proper bond between graphic and double-sided tape, pressure must be applied. The adhesive should be allowed to cure for 24 hours before use.

## ADDING OR REMOVING GRAPHIC TENSION



### ADDING TENSION

Insert a standard flat headed screwdriver into slot located in the end of unit and turn clockwise to add extra graphic tension.

### REMOVING TENSION

To un-tension graphic panel place a flat headed screwdriver into the slot and push to disengage ratchet. Hold in and turn anti-clockwise until tension in spring is released. To remove graphic panel carefully peel it off leader sheet. The graphic hanger can also be removed or a new hanger can be purchased.

# plex

International Patent Application  
No. WO 02/057588  
No. PCT/G802/00129 in USA

Issue 5 - April 2014